

High grade materials for the elevator industry

Material competence at the highest stage

As manufacturer of various elastomers with an in-house R & D for compositions and and its 60 years of experience in processing and manufacturing ACLA-WERKE are in a position to fulfill the top quality requirements of the lift industry with its customized products.

For the various requirements in lift industry ACLA-WERKE applies different materials with different specific compositions which are tailored to particular needs of elevator industry.

This page gives a review of the main homogeneous and cellular polyurethane elastomers as well as highly tensile thermoplastic materials which are applied in the elevator industry.

More detailed information on specific properties of ACLA compositions can be provided upon request.

Material	Brief description	Main properties (extract)	Preferred field of application in lift engineering
Homogeneous polyurethane elastomers			
ACLATHAN (brown)	High grade NDI-based PUR elastomer in shore hardnesses ranging from 65 to 95 Shore A	<ul style="list-style-type: none"> extremely wear- and tear resistant high tear propagation resistance high dynamic load bearing capacity low compression set and high damping ability good resistance against mineral oils, grease and petrol 	Guide shoes/type VS, guide shoe inserts, clamping elements for oil collectors, profiled- and door guide rollers, chain- and step rollers
ACLATHAN-KH (red)	TPU- based PUR elastomer with shore hardnesses ranging up to 96 Shore A	<ul style="list-style-type: none"> high elasticity for a wide temperature range good wear- and tear resistance good damping ability noise-absorbing good resistance against mineral oils, grease and petrol 	Guide shoes/type VS, guide shoe inserts,
ACLATHAN-KH (black)	TPU- based PUR elastomer	<ul style="list-style-type: none"> good damping ability good wear resistance good resistance against mineral oils, grease and petrol 	Gliding elements
Cellular polyurethane elastomers			
AUTAN	Highly elastic cellular PUR elastomer with a density up to approx. 460 kg/m ³	<ul style="list-style-type: none"> high stability level excellent vibration damping features good resistance against mineral oils, grease and petrol 	Lift buffers according to EN-81, damping inserts for guide shoes, noise-isolation material
AUTAN HE	Highly elastic cellular PUR elastomer with a density up to approx. 600 kg/m ³	<ul style="list-style-type: none"> excellent stability level excellent vibration damping features good resistance against mineral oils, grease and petrol 	Lift buffers according to DIN EN 81-20/50
High tensile materials			
ACLAMID (green/ guide shoe inserts, white/Rollers)	Special polymer with high Young's modulus	<ul style="list-style-type: none"> high mechanical strength good gliding and running properties low rolling resistance small deformation good medium resistance 	Guide shoes/type VS, guide shoe inserts, flat and round cable suspensions, rope pulleys, profiled- and door guide rollers, chain- and step rollers
ACLASYN GR (grey)	Thermoplastic material with especially modified physical and chemical properties	<ul style="list-style-type: none"> excellent gliding properties excellent wear resistance good medium resistance 	Guide shoes/type VS, guide shoe inserts, gliding elements
ACLASYN MWG 10 sw (black)			

ACLATHAN®, ACLACELL®, AUTAN®, EUTHAN® are registered trade marks of ACLA-WERKE GMBH, Cologne.



ACLA Guide Shoes, type VS

- installation height 60, 80 and 100 mm
- completely made of ACLATHAN, ACLATHAN-KH, ACLAMID or ACLASYN GR
- for rail widths of 4 - 7 mm

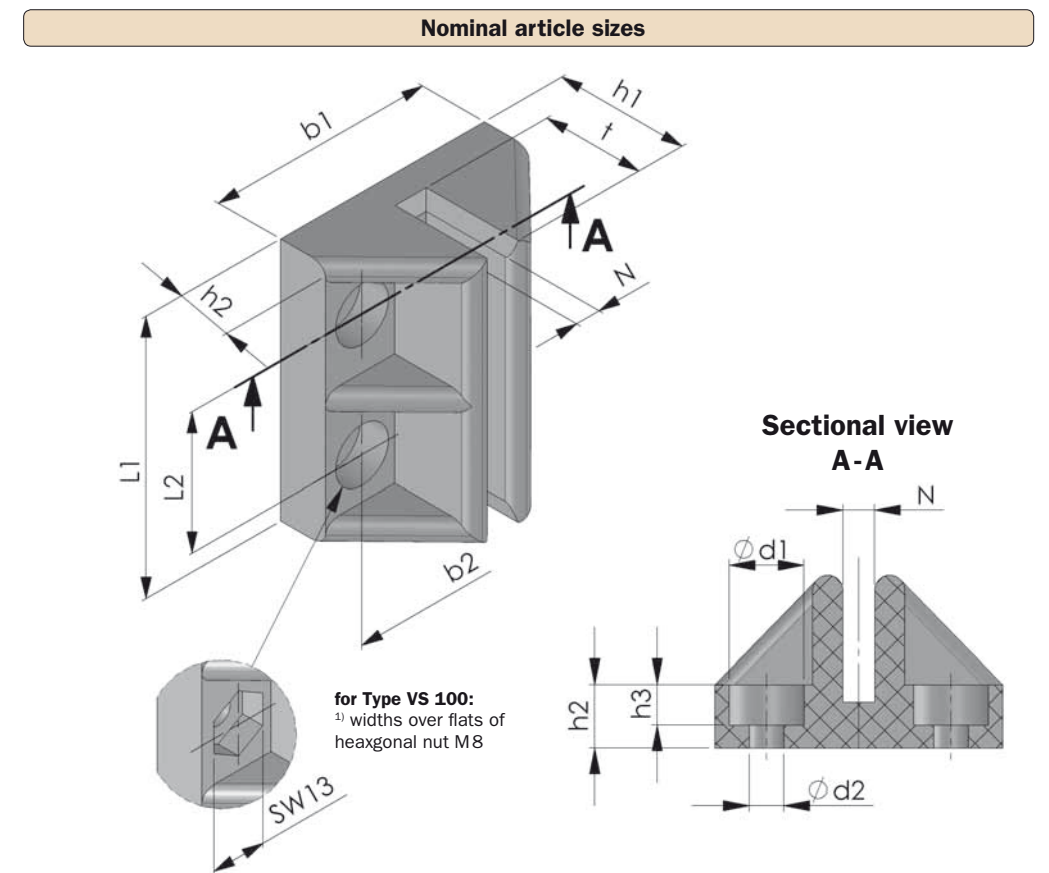
Completely made of plastic material

ACLA guide shoes type VS are completely manufactured of the high-quality homogeneous polyurethane elastomer ACLATHAN/ ACLATHAN-KH, the high-duty special polyamid ACLAMID or ACLASYN GR with special gliding abilities.

Advantages for the users and operational possibilities

Small sizes, low weight and functional design (separate guide shoe inserts are not required) are especially interesting for light weight lifts like small goods and food lifts.

The excellent abrasion resistance and elasticity of the material as well as the outstanding damping properties and the good sliding ability result in a silent running as well as economical and reliable operation.



Materials for ACLA guide shoes, type VS

ACLASYN GR



i.e. VS 60/art. no. 200 239

ACLATHAN-KH



i.e. VS 60/art. no. 200 017

ACLATHAN



i.e. VS 80/art. no. 200 123

ACLAMID



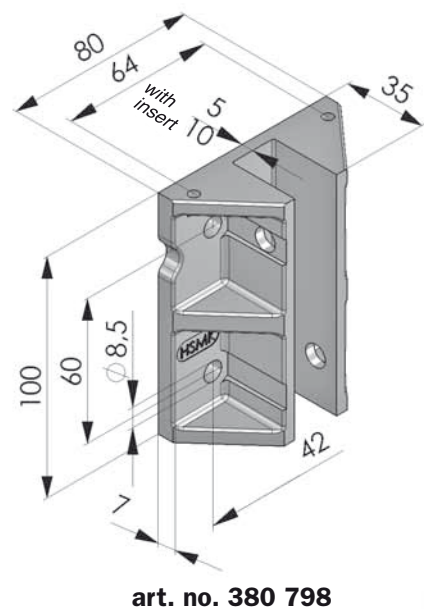
i.e. VS 100/art. no. 200 194

article numbers for ACLA guide shoes, type VS

for rail widths	N	art. no	type	material	L ₁	L ₂	b ₁	b ₂	h ₁	h ₂	h ₃	t	d ₁	d ₂
5	5,5	200 017	VS 60	ACLATHAN-KH	60	30	50	32	30	11	7	22	13	6
5	5,5	200 239	VS 60	ACLASYN GR	60	30	50	32	30	11	7	22	13	6
5	5,5	200 123	VS 80	ACLATHAN	80	37,5	60	40	26	11	7	20	13	6,5
5,5	6	200 194	VS 100	ACLAMID	100	60	75	42	35	12	6	25	13	8,5
6	6,5	200 109	VS 100	ACLATHAN-KH	100	60	75	42	35	12	6	25	13 ¹⁾	8,5
6	6,5	200 271	VS 100	ACLASYN GR	100	60	75	42	35	12	6	25	13 ¹⁾	8,5
7	7,5	200 137	VS 80	ACLATHAN	80	37,5	60	40	26	11	7	20	13 ¹⁾	6,5
7	7,5	200 320	VS 60	ACLASYN GR	60	30	50	32	30	11	7	22	13	6
7	7,5	200 318	VS 60	ACLATHAN-KH	60	30	50	32	30	11	7	22	13	6

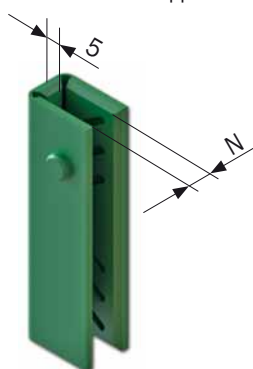
ACLA Guide Shoe, type HSMK

- installation height 100 mm
- undamped and damped guide shoe inserts for rail widths of 5 - 10 mm
- rail lubricators AK 2 and AK 4 are appropriate



The advantages of the ACLA guide shoe, type HSMK

- functional design
- low weight by use of light metal alloy base
- excellent stability and durability
- minimum space occupied
- can be used in a variable way in combination with ACLA guide shoe inserts for different rail widths
- easy to maintain in combination with ACLA guide shoe inserts and ACLA rail lubricators
- ideal for CTW applications



Appropriate ACLA rail lubricators for guide shoe HSMK

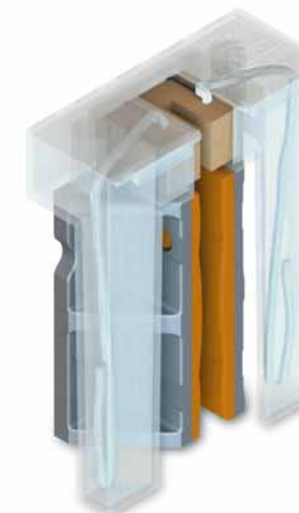
(for detailed information on ACLA rail lubricators, please see page 31)



Rail lubricator AK 2 art. no. 90 323

Mounting instructions:
To compensate the overlap on the backside (3 mm) between lubricator and guide shoe a distance plate should be used.

ACLA guide shoe HSMK, mounted with lubricator AK 2 and damped guide shoe insert, type FSUGG (ACLATHAN-KH red/ ACLASYN MWG 10 sw)



Rail lubricator AK 4 art. no. 90 337.01

Mounting instructions:
To compensate the overlap on the backside (4 mm) between lubricator and guide shoe a distance plate should be used.

ACLA guide shoe HSMK, mounted with lubricator AK 4 and undamped guide shoe insert, type FSU convex (ACLATHAN)

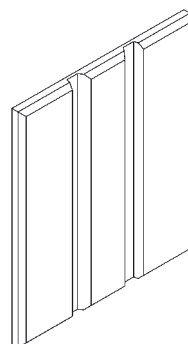
Appropriate guide shoe inserts for ACLA guide shoe HSMK - undamped -

U-profile type



type
FSU convex

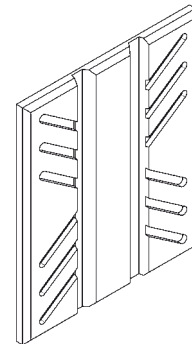
hinged types



type
FSF plain

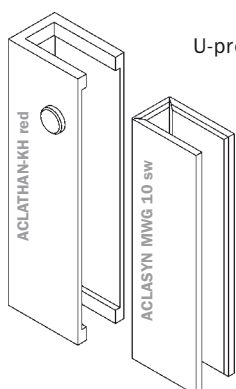


type
FSF with grooves



Appropriate guide shoe inserts for ACLA guide shoe HSMK - damped -

U-profile type

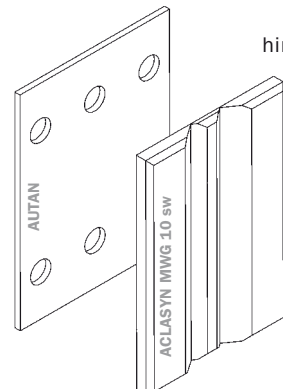


patent protected



type
FSUGG

hinged type



type
FSFG

Complete guide shoe HSMKG with guide shoe insert, type FSFG



Damped guide shoe HSMKG with cellular layer of AUTAN combined with insert of ACLASYN MWG 10 sw.

With excellent noise- and vibration damping properties.

rail width N	article no.
5 mm	380 819.05
9 mm	380 820.05

Complete guide shoe HSMKGG with guide shoe insert, type FSUGG



Damped guide shoe HSMKGG with combined insert of ACLATHAN-KH red and ACLASYN MWG 10 sw.

With excellent noise- and vibration damping properties.

patent protected

rail width N	article no.
5 mm	380 819.06
9 mm	380 820.06

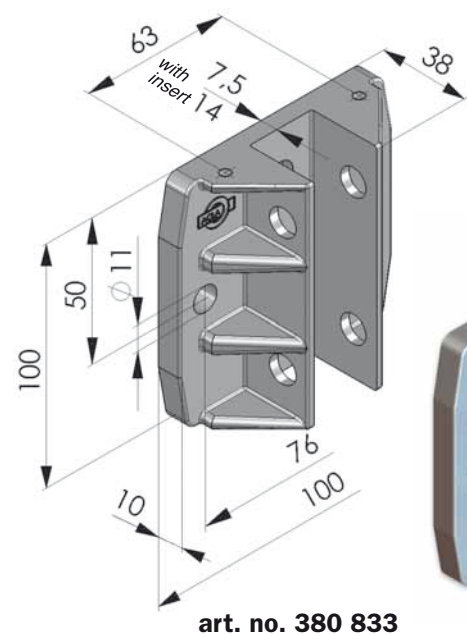
article numbers for HSMK guide shoe inserts

insert type	material*	for rail width N				
		5 mm	6 mm	8 mm	9 mm	10 mm
undamped	FSU convex	ACLATHAN	200 011		200 020	
	FSF plain	ACLATHAN	200 180	200 255	200 181	
	FSF with grooves	ACLASYN MWG 10 sw	200 286.04			200 290.04 200 307.04
damped	FSFG	ACLATHAN	200 245		200 247	
		ACLAMID	200 246		200 248	
		ACLASYN GR				
	FSUGG	ACLASYN MWG 10 sw with cellular layer	200 289.05		200 291.05	—
		ACLASYN MWG 10 sw with ACLATHAN-KH layer	200 289.06		200 291.06	—

*Characteristics and description of ACLA materials, please see page 6. Information on colour differences of guide shoe insert materials: ACLATHAN = brown, ACLATHAN-KH = red, ACLAMID = green, ACLASYN GR = grey, ACLASYN MWG 10 (sw) = black.

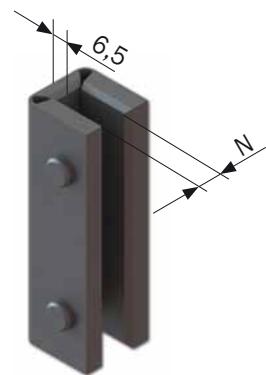
ACLA Guide Shoe, type HSMKW

- installation height 100 mm
- undamped and damped guide shoe inserts for rail widths of 8 - 16 mm
- rail lubricators AK 2 and AK 4 are appropriate



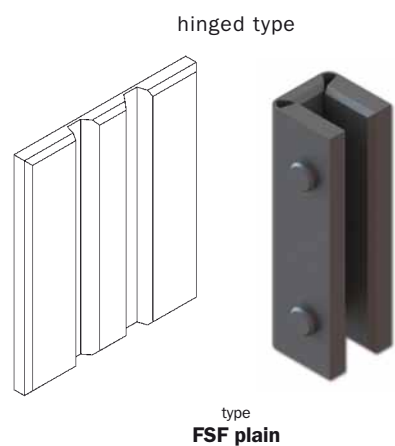
The advantages of the ACLA guide shoe, type HSMKW

- functional design
- low weight by use of light metal alloy base
- excellent stability and durability
- minimum space occupied
- can be used in a variable way in combination with ACLA guide shoe inserts for different rail widths
- easy to maintain in combination with ACLA guide shoe inserts and ACLA rail lubricators

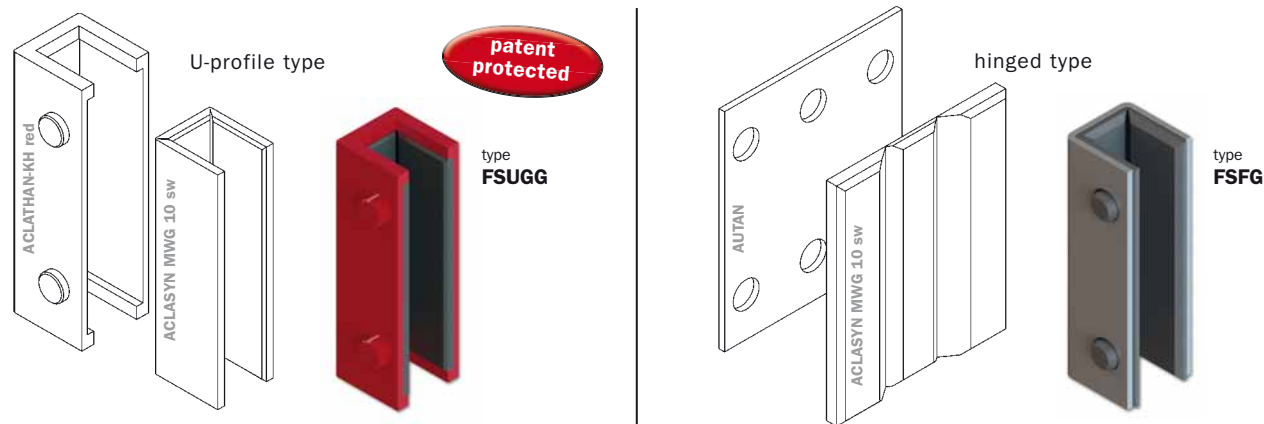


art. no. 380 833

Appropriate guide shoe inserts for ACLA guide shoe HSMKW - undamped --



Appropriate guide shoe inserts for ACLA guide shoe HSMKW - damped -



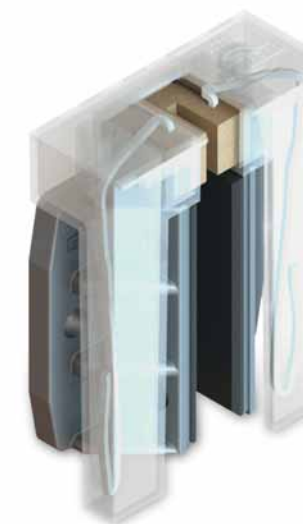
Appropriate ACLA rail lubricators for guide shoe HSMKW

(for detailed information on ACLA rail lubricators, please see page 31)



Rail lubricator AK 2
art. no. 90 323.05

ACLA guide shoe HSMKW, mounted with lubricator AK 2 and damped guide shoe insert, type FSUGG (ACLATHAN KH red/ ACLASYN MWG 10 sw)



Rail lubricator AK 4
art. no. 90 337

ACLA guide shoe HSMKW, mounted with lubricator AK 4 and damped guide shoe insert, type FSF plain (AUTAN/ ACLASYN MWG 10 sw)

Complete guide shoe HSMKW with guide shoe insert, type FSFG



Damped guide shoe HSMKW with cellular layer of AUTAN combined and with insert of ACLASYN MWG 10 sw.

With excellent noise- and vibration damping properties.

rail width N	article no.
8 mm	380 846.07
9 mm	380 842.07
10 mm	380 836.07
16 mm	380 837.07

Complete guide shoe HSMKW with guide shoe insert, type FSUGG



Damped guide shoe HSMKW with combined insert of ACLATHAN KH red and ACLASYN MWG 10 sw.

With excellent noise- and vibration damping properties.

patent protected

rail width N	article no.
9 mm	380 842.08
10 mm	380 836.08
16 mm	380 837.08

article numbers for HSMKW guide shoe inserts

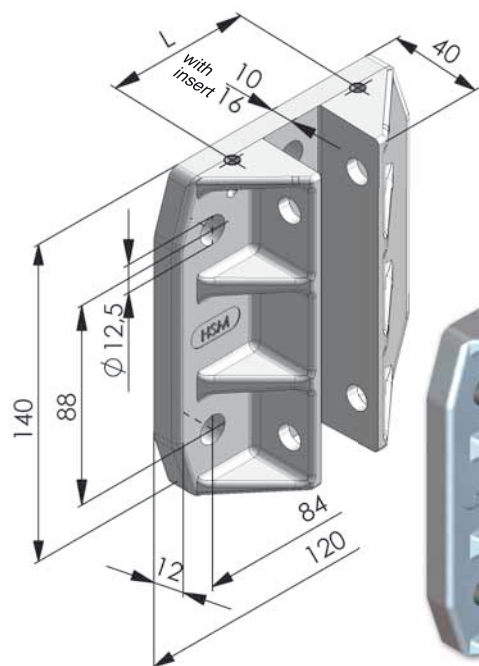
Einlage Typ	Werkstoff*	for rail width N		
		8 mm	9 mm	10 mm
undamped	FSF plain		200 345.01	200 346.01 200 347.01
	FSFG	200 397.05	200 345.05	200 346.05
damped	ACLASYN MWG 10 sw with cellular layer		200 345.06	200 346.06
	ACLASYN MWG 10 sw with ACLATHAN-KH layer			

*Characteristics and description of ACLA materials, please see page 6. Information on colour differences of guide shoe insert materials: ACLATHAN = brown, ACLATHAN-KH = red, ACLAMID = green, ACLASYN GR = grey, ACLASYN MWG 10 (sw) = black.



ACLA Guide Shoe, type HSM

- installation height 140 mm
- undamped and damped guide shoe inserts for rail widths of 5 - 20 mm
- rail lubricators AK 2 and AK 10 are appropriate



The advantages of the ACLA guide shoe, type HSM

- functional design
- low weight by use of light metal alloy base
- excellent stability and durability
- minimum space occupied
- can be used in a variable way in combination with ACLA guide shoe inserts for all rail widths
- easy to maintain in combination with ACLA guide shoe inserts and ACLA rail lubricators

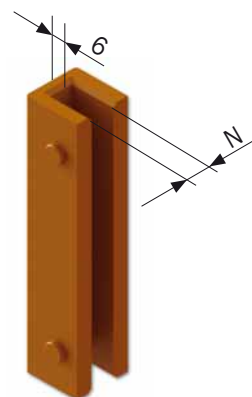
art. nos./types ACLA guide shoe HSM

art. no. 380 001 (L = 64 mm)
2 bores for tapping screw M5

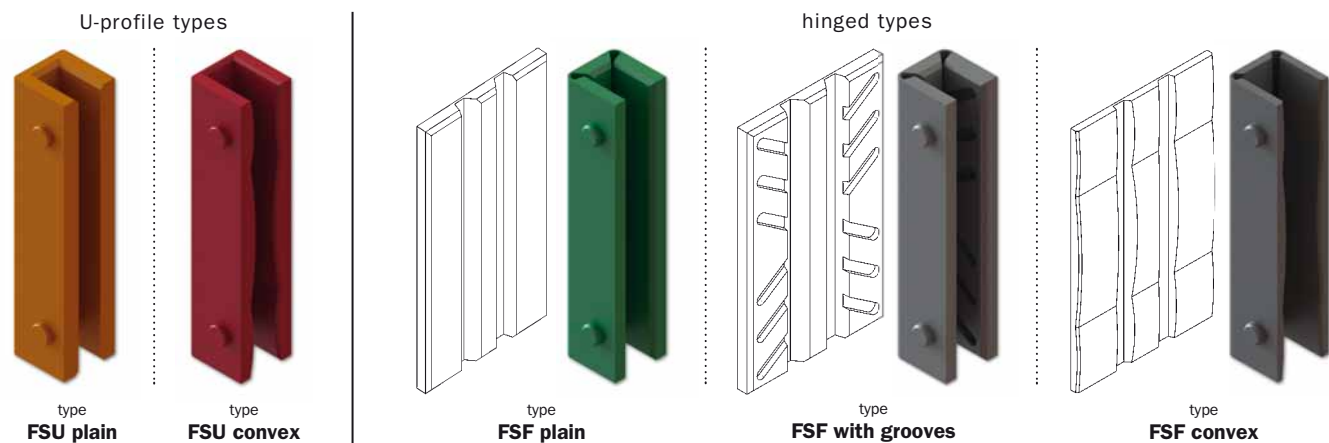
art. no. 380 810 (L = 64 mm)
2 bores for threaded screw M6

art. no. 380 187 (L = 61,5 mm)
2 bores for tapping screw M6

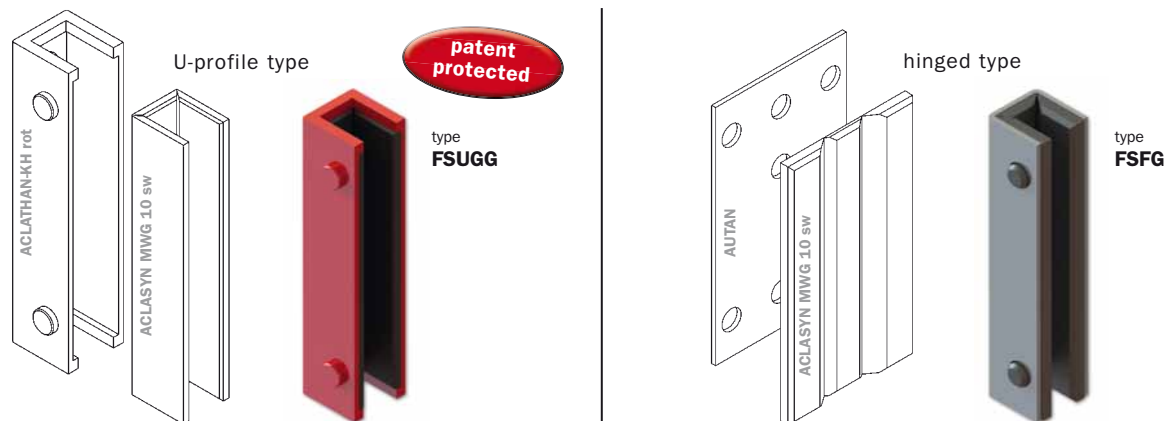
art. no. 380 187.01 (L = 61,5 mm)
2 bores for threaded screw M6



Appropriate guide shoe inserts for ACLA guide shoe HSM - undamped -



Appropriate guide shoe inserts for ACLA guide shoe HSM - damped -



Appropriate ACLA rail lubricators for guide shoe HSM

(for detailed information on ACLA rail lubricators, please see page 31)



Rail lubricator AK 2

art. no. 90 323
(for art. no. 380 001)

art. no. 90 323.03
(for art. no. 380 810)

ACLA guide shoe HSM,
mounted with lubricator AK 2
and damped guide shoe insert,
type FSUGG (ACLATHAN-KH red/
ACLASYN MWG 10 sw)



Rail lubricator AK 10 art. no. 90 021

ACLA guide shoe HSM,
mounted with lubricator AK 10
and undamped guide shoe insert,
type FSF convex (ACLASYN GR)

Complete guide shoe HSMG with guide shoe insert, type FSFG



Damped guide shoe HSMG
with cellular layer of AUTAN combined
and with insert of ACLASYN MWG 10 sw.

With excellent noise- and vibration
damping properties.

rail width N	article no.
9 mm	380 817.05
10 mm	380 809.05
16 mm	380 808.05

Complete guide shoe HSMGG with guide shoe insert, type FSUGG



Damped guide shoe HSMGG
with combined insert of ACLATHAN-KH
red and ACLASYN MWG 10 sw.

With excellent noise- and vibration
damping properties.

patent
protected

rail width N	article no.
9 mm	380 817.06
10 mm	380 809.06
14 mm	380 818.06
16 mm	380 808.06

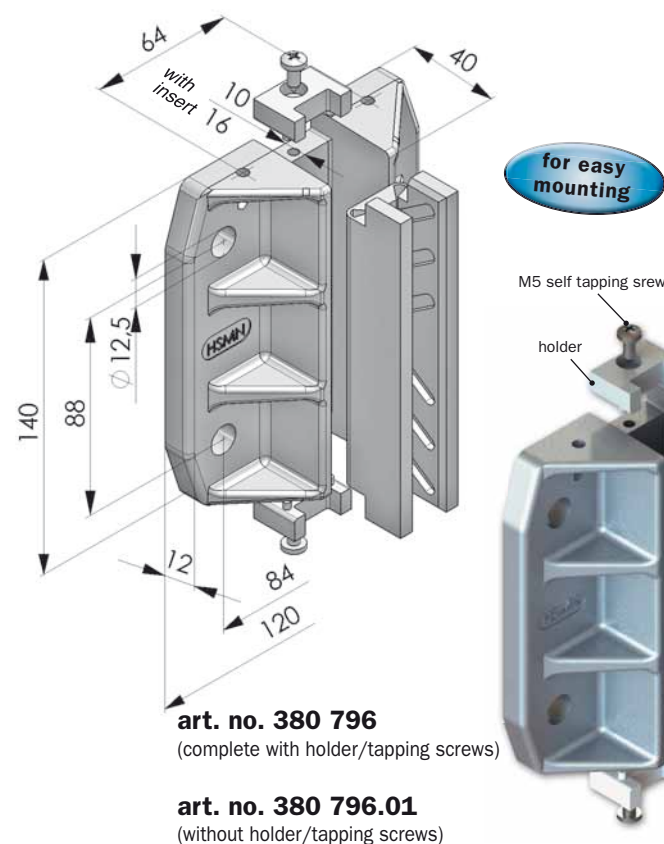
article numbers for HSM guide shoe inserts

insert type	material*	for rail width N													
		5 mm	6 mm	8 mm	9 mm	10 mm	12 mm	14 mm	15 mm	16 mm	19 mm	20 mm			
FSU plain	ACLATHAN-KH		200 003				200 006								
FSU convex	ACLATHAN-KH		200 012		200 013		200 014	200 015							
undamped	FSF plain	ACLATHAN-KH	200 182		200 169	200 005		200 168	200 235	200 166					
		ACLAMID	200 176												
	ACLASYN GR	200 230												200 321	
	ACLASYN MWG 10 sw				200 292.04	200 284.04		200 294.04		200 285.04	200 298.04				
FSF with grooves	ACLATHAN-KH			200 018											
	ACLAMID				200 225			200 206		200 208					
	ACLASYN GR				200 228	200 251		200 204		200 226					
FSF convex	ACLATHAN-KH						200 288			200 016					
	ACLASYN GR						200 305			200 227					
damped	FSFG					200 306.05	200 293.05					200 296.05			
	FSUGG					200 306.06	200 293.06		200 295.06			200 296.06			

*Characteristics and description of ACLA materials, please see page 6. Information on colour differences of guide shoe insert materials:
ACLATHAN = brown, ACLATHAN-KH = red, ACLAMID = green, ACLASYN GR = grey, ACLASYN MWG 10 (sw) = black.

ACLA Guide Shoe, type HSMN (for easy mounting)

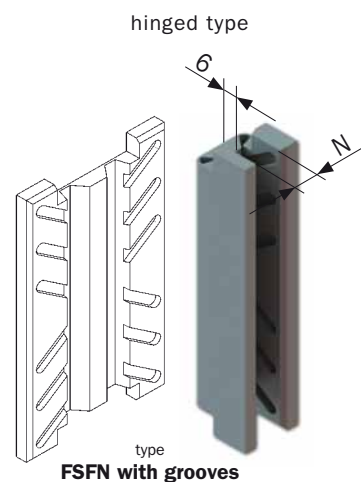
- installation height 140 mm
- guide shoe inserts for rail widths of 5 - 16 mm
- rail lubricators AK 2 and AK 10 are appropriate



The advantages of the ACLA guide shoe, type HSMN

- functional design
- low weight by use of light metal alloy base
- excellent stability and durability
- sizes as per standard type HSM, however designed for the assembly of the ACLA guide shoe inserts FSFN for easy mounting
- inserts can be replaced without dismantling the guide shoe
- the symmetrical design of the insert allows an easy mounting and dismantling and saves adjustment work when replacing it
- minimum space occupied
- can be used in a variable way in combination with ACLA guide shoe inserts for all rail widths
- easy to maintain in combination with ACLA guide shoe inserts and ACLA rail lubricators

Appropriate guide shoe insert for ACLA guide shoe HSMN - undamped -



article numbers for HSMN guide shoe inserts

insert type	material*	for rail width N					
		5 mm	8 mm	9 mm	10 mm	14 mm	16 mm
undamped FSFN with grooves	ACLATHAN-KH		200 018.01				
undamped FSFN with grooves	ACLAMID	200 176.01		200 225.01		200 206.01	200 208.01
undamped FSFN with grooves	ACLASYN GR	200 230.01		200 228.01	200 251.01	200 204.01	200 226.01
undamped FSFN plain	ACLASYN MWG 10 sw		200 428.02	200 228.02	200 251.02		200 226.02

*Characteristics and description of ACLA materials, please see page 6. Information on colour differences of guide shoe insert materials:
ACLATHAN = brown, ACLATHAN-KH = red, ACLAMID = green, ACLASYN GR = grey, ACLASYN MWG 10 (sw) = black.

Appropriate ACLA rail lubricators for guide shoe HSMN

(for detailed information on ACLA rail lubricators, please see page 31)

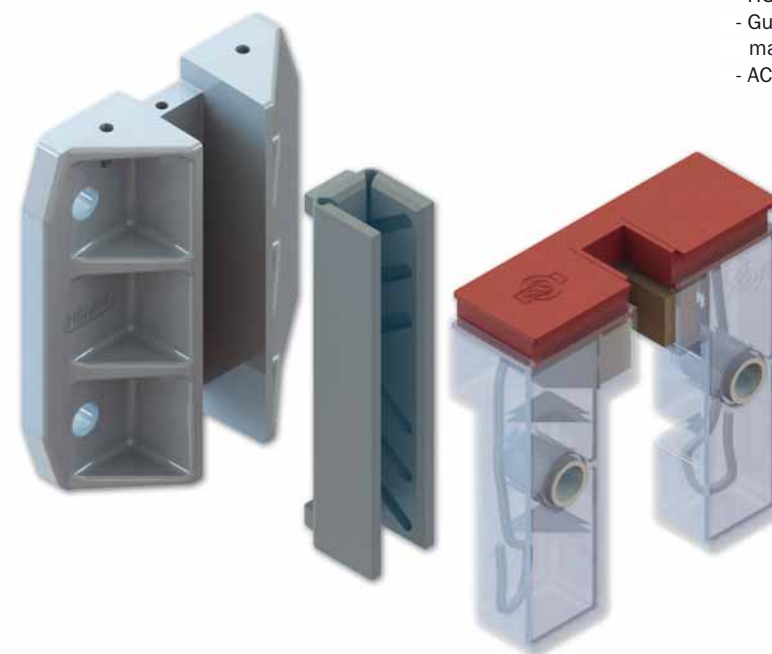


ACLA Guide Shoe, Type HSM (N-Type) low-cost turnkey solution for rail width 16 mm

- installation height 140 mm
- insert pre-assembled
- the oil lubricator is fixed with the guide shoe

The advantages of the ACLA guide shoe, type HSMN (N-type)

- complete solution for the common rail 16 mm
- outstanding quality, stability and durability by use of light metal alloy base
- dimensions compatible with standard type HSM
- scope of supply/partly pre-assembled:
 - HSMN guide shoe, art.-no. 380 796.01
 - Guide shoe insert with grooves for rail width 16 mm made of ACLASYN GR, art.-no. 200 447
 - ACLA Rail lubricator AK 10, art.-no. 900 021.S

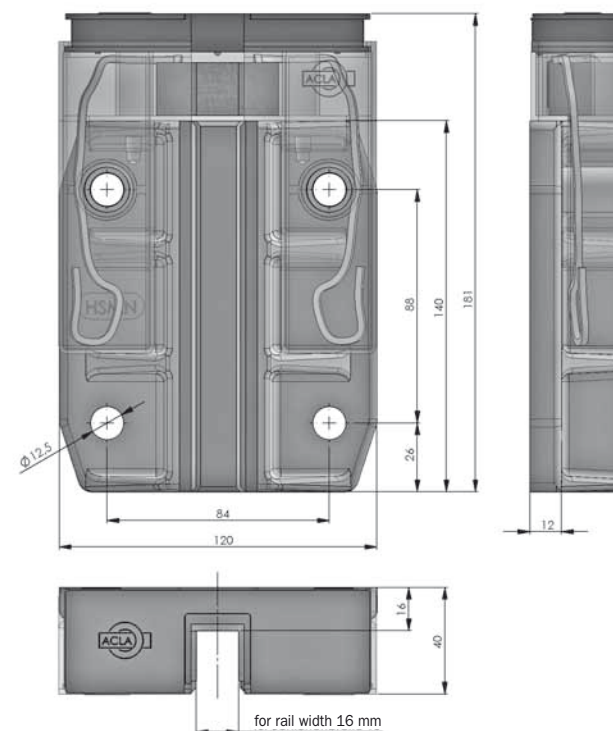


The time-saving and cost-effective turnkey solution for the replacement of HSM Guide Shoe including insert and lubricator

art.-no. 380 851
(3 parts with guide shoe, insert and oil lubricator)

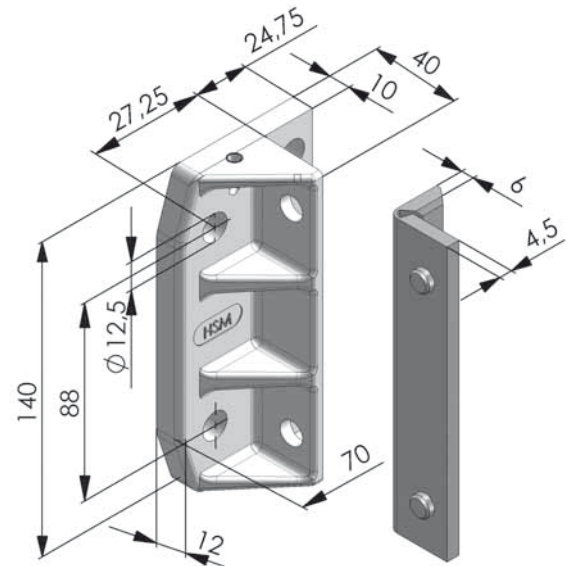


for rail width 16 mm



ACLA Guide Shoe, type HSM half

- installation height 120 mm and 140 mm
- for rail widths of 5 - 19 mm



art. no. 380 806

The advantages of the ACLA guide shoe, type/half

- installation height 140 mm
- space-saving construction for narrow mounting situations
- low weight by use of light metal alloy base
- excellent stability and durability

Appropriate guide shoe inserts,
type FSF (hinged/undamped)
see table

article numbers for HSM/half guide shoe inserts

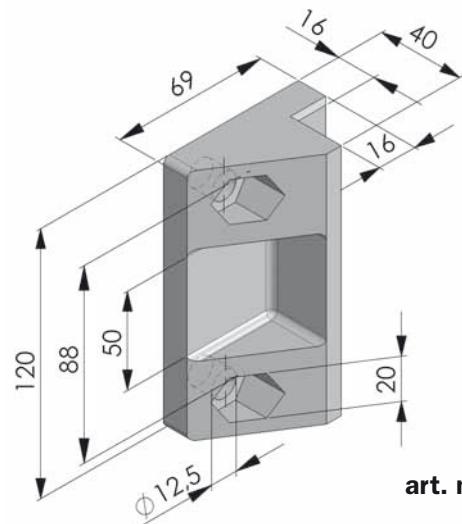
insert type	material*	
undamped FSF plain	ACLATHAN-KH	200 433
FSF with grooves	ACLAMID	200 434
FSF with grooves	ACLASYN GR	200 269
FSF plain	ACLASYN MWG 10 sw	200 301.04

*Characteristics and description of ACLA materials, please see page 6.

Information on colour differences of guide shoe insert materials:

ACLATHAN = brown, ACLATHAN-KH = red, ACLAMID = green, ACLASYN GR = grey, ACLASYN MWG 10 (sw) = black.

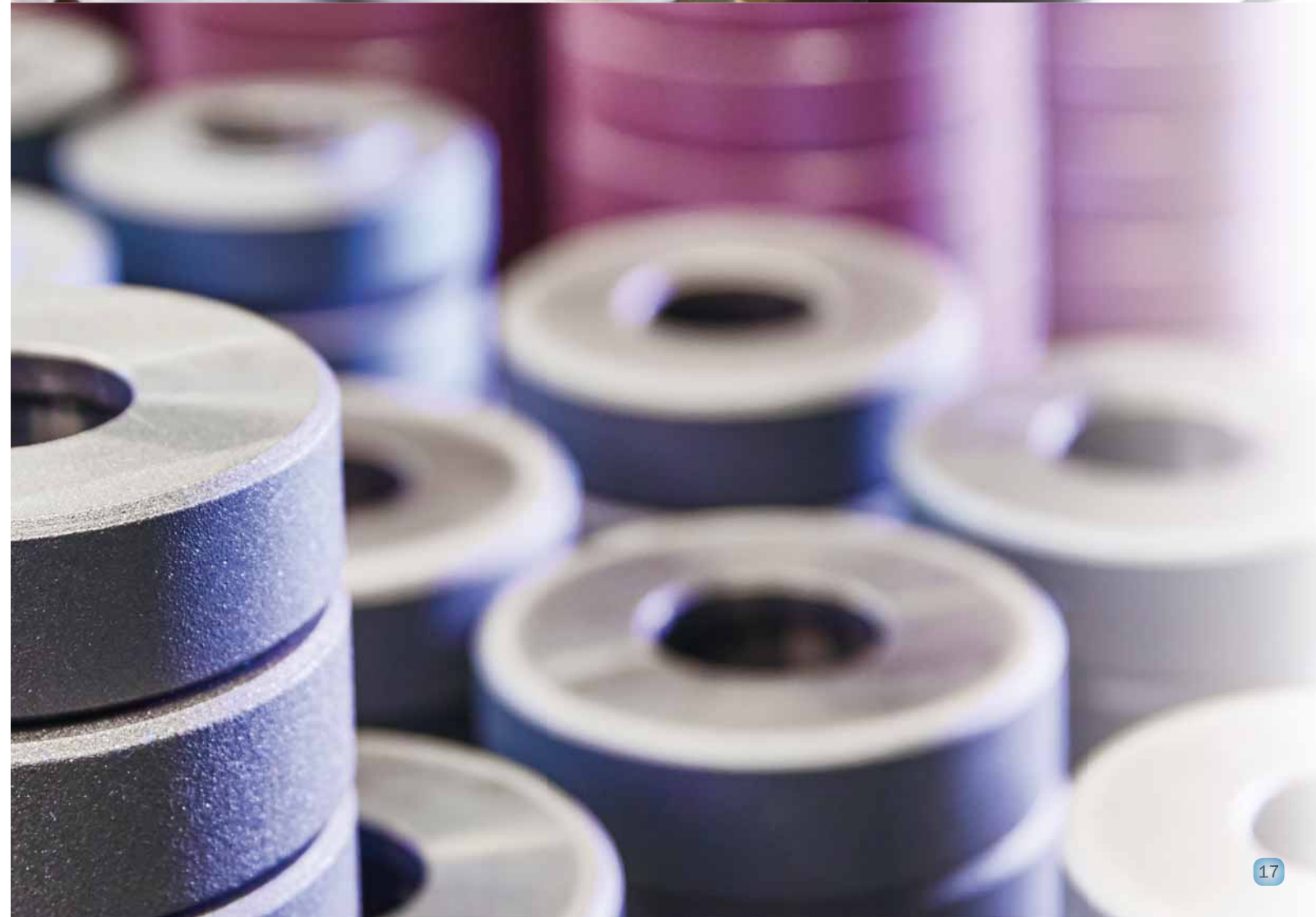
Guide shoe HSM/half of ACLASYN GR



art. no. 200 250

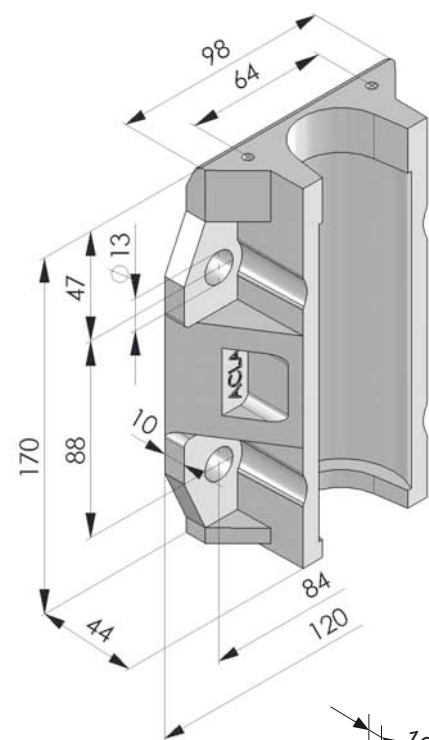
- installation height 120 mm
- completely made of ACLASYN GR
- can be used for rail widths from 5 to 16 mm without any additional insert

Focus on quality in ACLA production processes



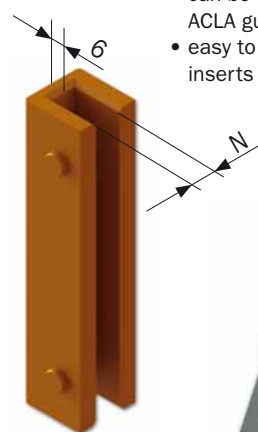
ACLA Guide Shoe, type SHS (Elastic Guide Shoe)

- installation height 170 mm
- guide shoe inserts for rail widths of 5 - 20 mm
- rail lubricators AK 2 and AK 5 are appropriate



The advantages of the ACLA guide shoe, type SHS

- functional design
- low weight by use of light metal alloy base
- excellent stability and durability
- Compact guide shoe with excellent properties as to shock absorption
- Rail joints and misalignments are absorbed by the high elasticity of the entire construction
- ACLA guide shoe inserts are embedded in a highly elastic cellular or homogeneous intermediate layer
- the assembly of the insert and cushion is possible without using a tool
- can be used in a variable way in combination with ACLA guide shoe inserts for all rail widths
- easy to maintain in combination with ACLA guide shoe inserts and ACLA rail lubricators

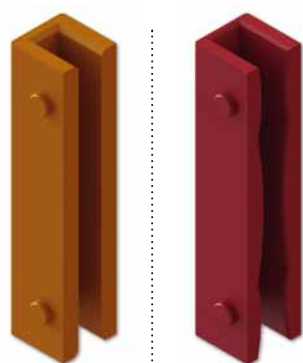


art. no. 380 812



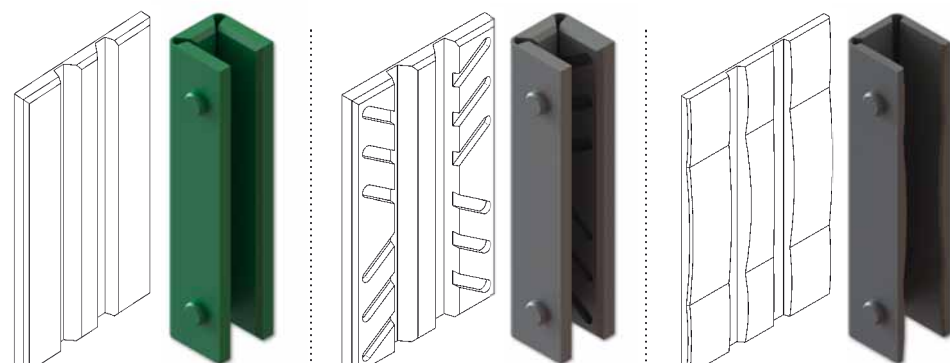
Appropriate guide shoe inserts for ACLA guide shoe SHS - undamped -

U-profile types



type FSU plain type FSU convex

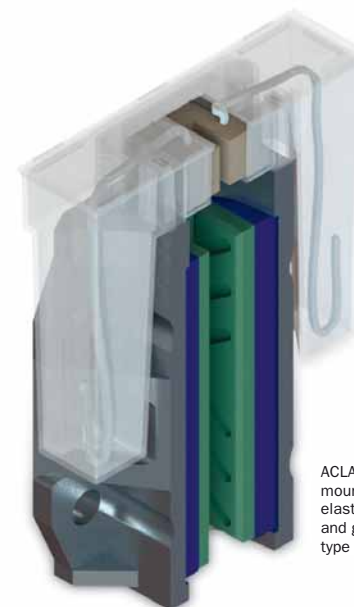
hinged types



type FSF plain type FSF with grooves type FSF convex

Appropriate ACLA rail lubricators for guide shoe SHS

(for detailed information on ACLA rail lubricators, please see page 31)



Rail lubricator AK 2
art. no. 90 323

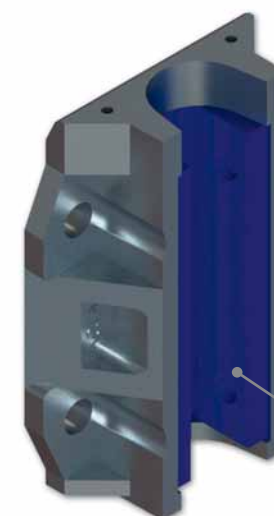
ACLA guide shoe SHS, mounted with lubricator AK 2, elastic cushion/homogeneous and guide shoe insert, type FSF with grooves (ACLAMID)



Rail lubricator AK 5
art. no. 90 314

ACLA guide shoe SHS, mounted with lubricator AK 5, elastic cushion/cellular and guide shoe insert, type FSF convex (ACLASYN GR)

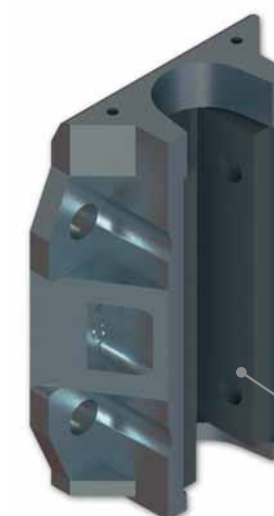
Complete guide shoe SHS with elastic cushion/homogeneous



Complete elastic guide shoe
art. no. 380 795
(= guide shoe + elastic cushion/homogeneous)

highly elastic cushion **homogeneous**
art. no. 196 673.N

Complete guide shoe SHS with elastic cushion/cellular



Complete elastic guide shoe
art. no. 380 787
(= guide shoe + elastic cushion/cellular)

highly elastic cushion **cellular**
art. no. 310 196

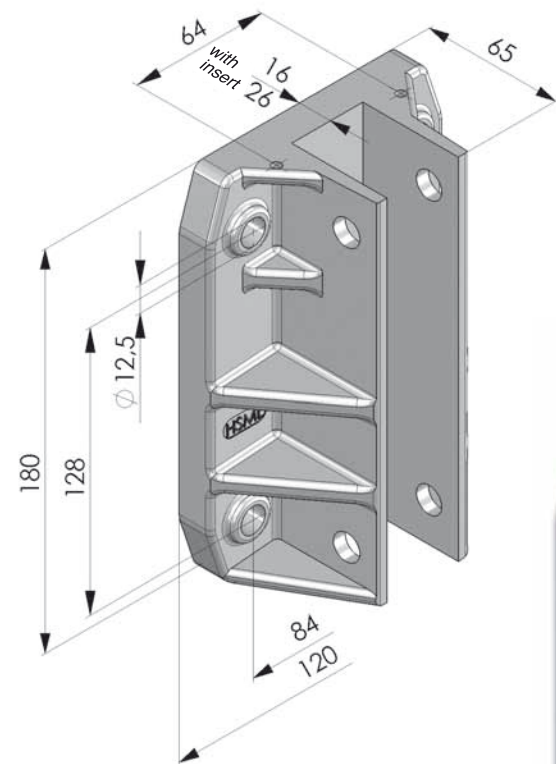
article numbers for SHS guide shoe inserts

insert type	material*	for rail width N												
		5 mm	6 mm	8 mm	9 mm	10 mm	12 mm	14 mm	15 mm	16 mm	19 mm	20 mm		
FSU plain	ACLATHAN-KH		200 003				200 006							
FSU convex	ACLATHAN-KH		200 012		200 013		200 014	200 015						
FSF plain	ACLATHAN-KH	200 182			200 169	200 005		200 168	200 235	200 166				
	ACLAMID	200 176											200 321	
	ACLASYN GR	200 230												
FSF with grooves	ACLASYN MWG 10 sw				200 292.04	200 284.04		200 294.04		200 285.04	200 298.04			
	ACLATHAN-KH			200 018										
	ACLAMID				200 225			200 206		200 208				
FSF convex	ACLASYN GR				200 228	200 251		200 204		200 226				
	ACLATHAN-KH						200 288			200 016				
	ACLASYN GR						200 305			200 227				

*Characteristics and description of ACLA materials, please see page 6. Information on colour differences of guide shoe insert materials: ACLATHAN = brown, ACLATHAN-KH = red, ACLAMID = green, ACLASYN GR = grey, ACLASYN MWG 10 (sw) = black.

ACLA Guide Shoe, type HSML and HSMLS

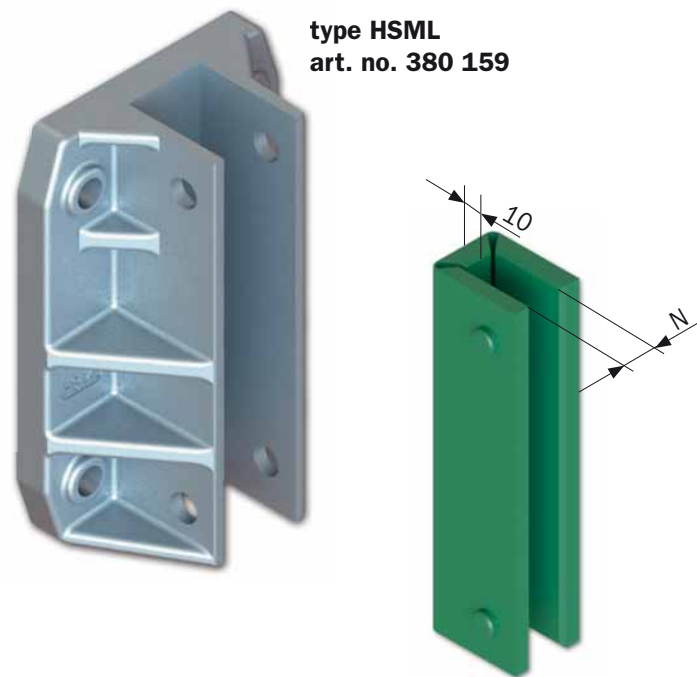
- installation height
- guide shoe inserts for rail widths of 14 - 29 mm
- rail lubricators AK 2 and AK 10 are appropriate



The advantages of the ACLA guide shoe, type HSML

- functional design
- low weight by use of light metal alloy base
- excellent stability and durability
- minimum space occupied
- can be used in a variable way in combination with ACLA guide shoe inserts for rail widths from 14 to 29 mm
- easy to maintain in combination with ACLA guide shoe inserts and ACLA rail lubricators

type HSML
art. no. 380 159



Appropriate ACLA rail lubricators for guide shoe HSML

(for detailed information on ACLA rail lubricators, please see page 31)



Rail lubricator AK 2
art. no. 90 323

ACLA guide shoe HSML,
mounted with lubricator AK 2
and undamped guide shoe insert,
type FSF with groove
(ACLAMID).

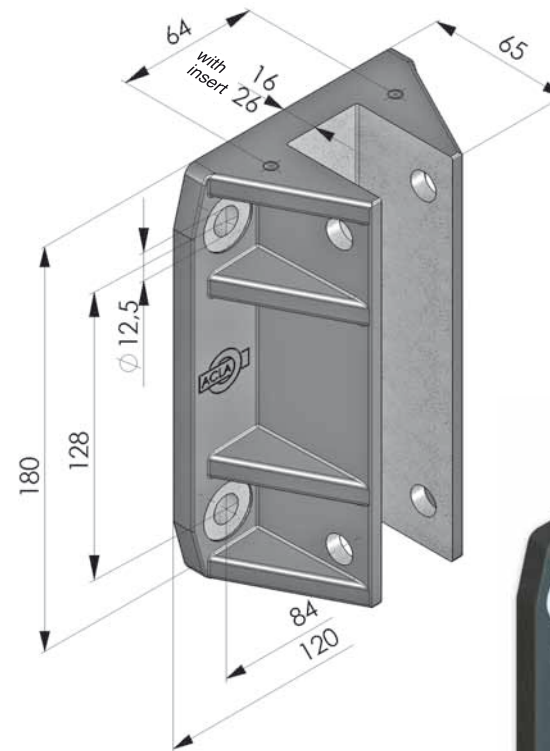


Rail lubricator AK 10
art. no. 90 021

ACLA guide shoe HSML,
mounted with lubricator AK 10
and undamped guide shoe insert,
type FSF with grooves
(ACLASYN GR).

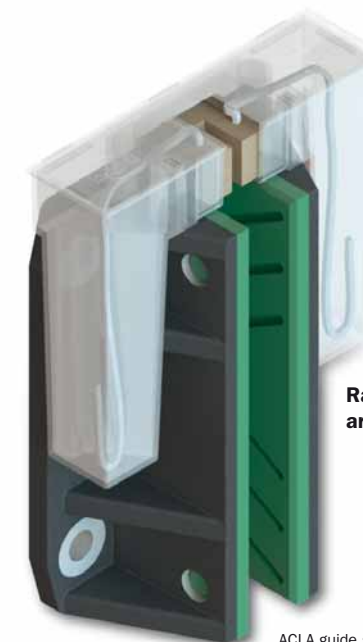
Appropriate ACLA rail lubricator for guide shoe HSMLS

(for detailed information on ACLA rail lubricators, please see page 31)



type HSMLS
art. no. 380 834
Special design for high load lifts
with improved breaking force
in comparison to type HSML.

Breaking force: 240 kN



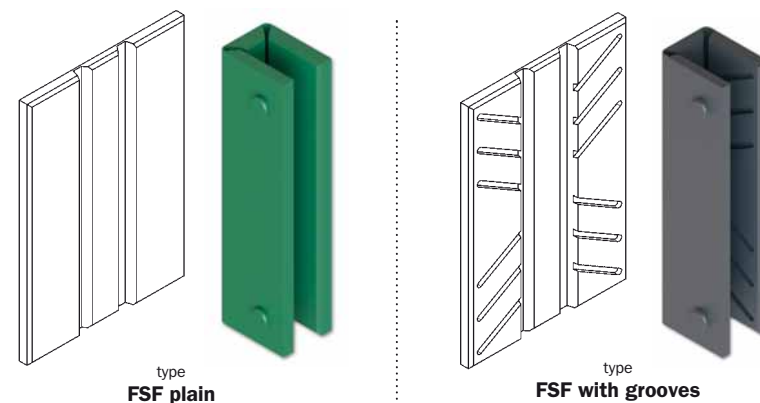
Rail lubricator AK 2
art. no. 90 323.03

ACLA guide shoe HSMLS,
mounted with lubricator AK 2
and undamped guide shoe insert,
type FSF with grooves
(ACLAMID).

Appropriate guide shoe inserts for ACLA guide shoe HSML and HSMLS

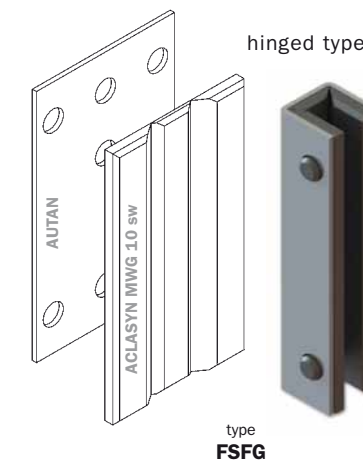
- undamped -

hinged types



- damped -

hinged type



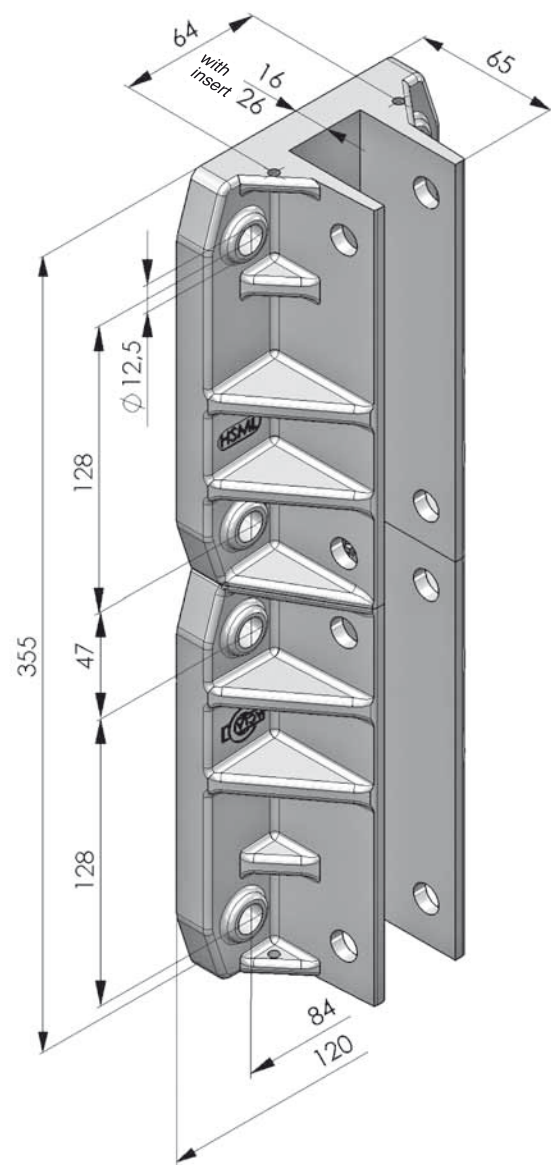
article numbers for HSML and HSMLS guide shoe insert

insert type	material*	for rail width N				
		14 mm	16 mm	19 mm	24 mm	29 mm
undamped FSF plain	ACLATHAN-KH	200 198	200 171			
	ACLAMID	200 195				200 242
	ACLASYN GR	200 238			200 267	200 263
	ACLASYN MWG 10 sw		200 297.04	200 299.04		
undamped FSF with grooves	ACLAMID		200 207			
	ACLASYN GR		200 229	200 266		
damped FSFG	ACLASYN MWG 10 sw with cellular layer		200 297.06			

*Characteristics and description of ACLA materials, please see page 6. Information on colour differences of guide shoe insert materials: ACLATHAN = brown, ACLATHAN-KH = red, ACLAMID = green, ACLASYN GR = grey, ACLASYN MWG 10 (sw) = black.

ACLA Guide Shoe, type HSMXL

- installation height 355 mm
- guide shoe inserts for rail widths o 14 - 29 mm
- rail lubricators AK 2 and AK 10 are appropriate

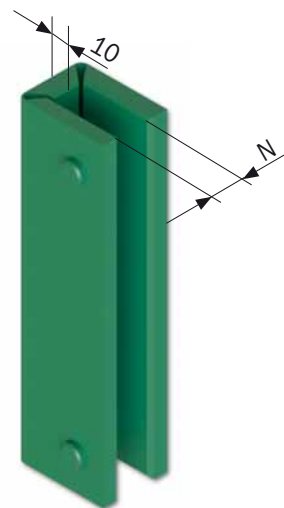


The advantages of the ACLA guide shoe, type HSMXL

- special design for high load and rucksack lifts
- low weight by use of light metal alloy base
- excellent stability and durability
- minimum space occupied
- can be used in a variable way in combination with ACLA guide shoe inserts for rail widths from 14 to 29 mm
 - easy to maintain in combination with ACLA guide shoe inserts and ACLA rail lubricators



art. no. 380 799



Appropriate ACLA rail lubricators for guide shoe HSMXL

(for detailed information on ACLA rail lubricators, please see page 31)



Rail lubricator AK 2
art. no. 90 323

ACLA guide shoe HSMXL,
mounted with lubricator AK 2
and undamped guide shoe insert,
type FSF with grooves
(ACLAMID).



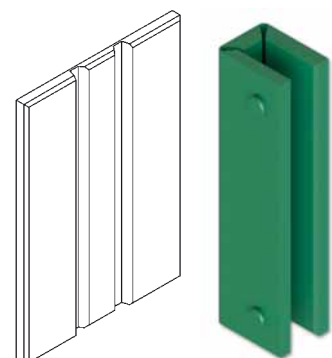
Rail lubricator AK 10
art. no. 90 021

ACLA guide shoe HSMXL,
mounted with lubricator AK 10
and undamped guide shoe insert,
type FSF with grooves
(ACLASYN GR).

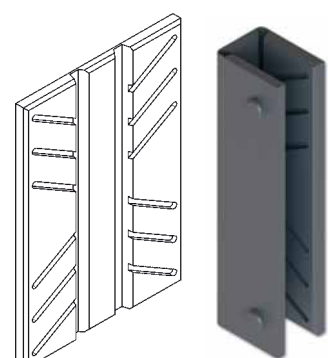
Appropriate guide shoe inserts for ACLA guide shoe HSMXL

- undamped -

hinged types



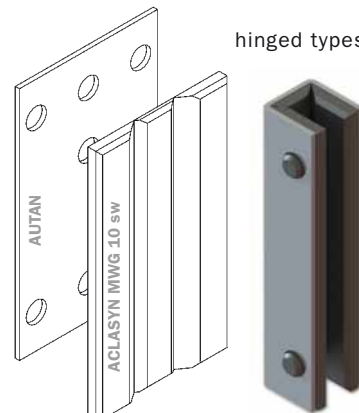
type
FSF plain



type
FSF with grooves

- damped -

hinged types



type
FSFG

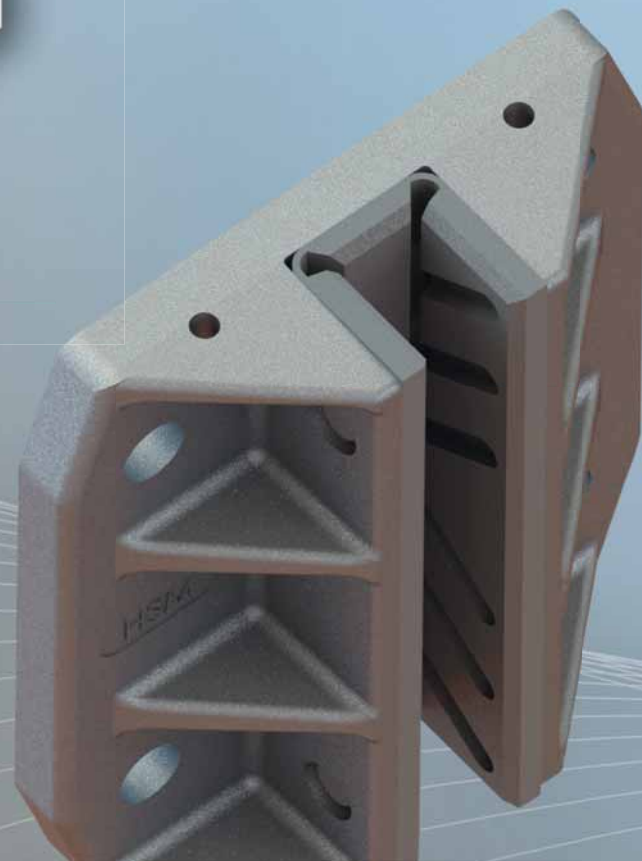
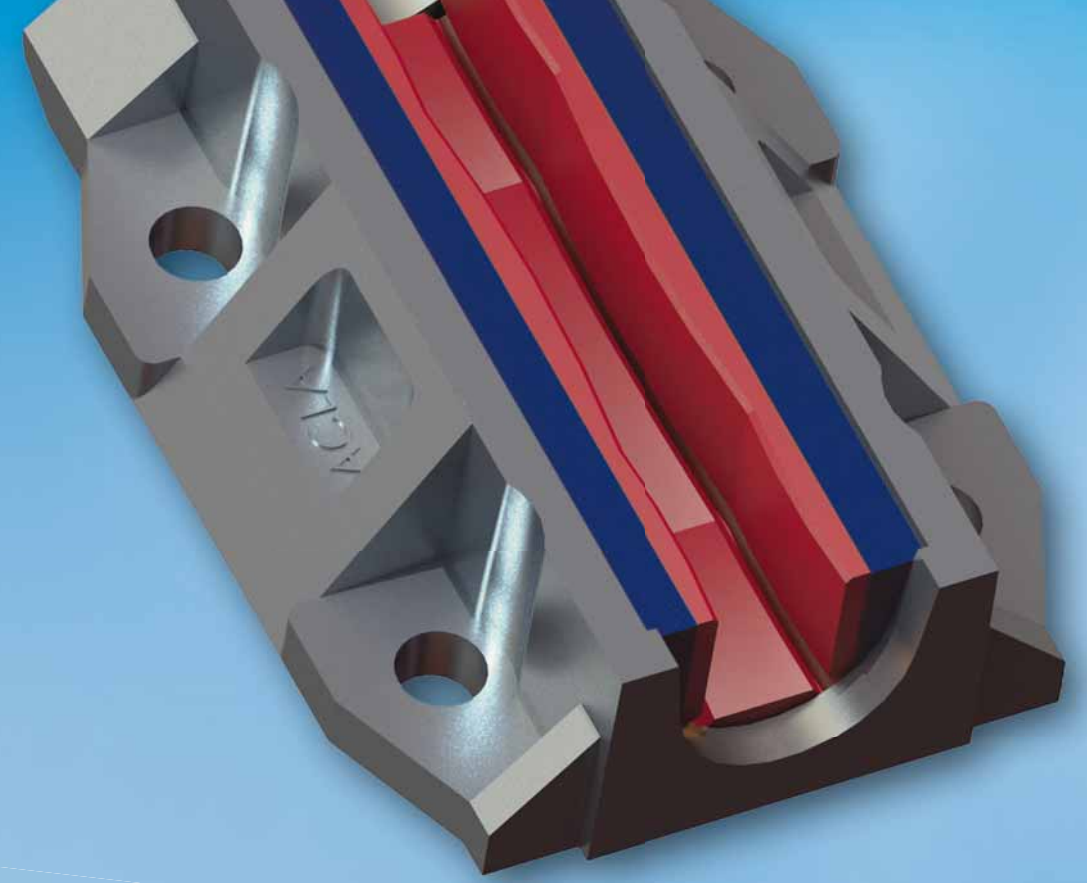
article numbers for HSMXL guide shoe inserts

HSMXL needs two guide shoe inserts each

insert type	material*	for rail width N				
		14 mm	16 mm	19 mm	24 mm	29 mm
undamped FSF plain	ACLATHAN-KH					
	ACLAMID					
	ACLASYN GR			200 266.01		200 263.01
undamped FSF with grooves	ACLASYN MWG 10 sw			200 300.04		
	ACLAMID					
damped FSFG	ACLASYN GR		200 229.01			
	ACLASYN MWG 10 sw with cellular layer		200 297.06			

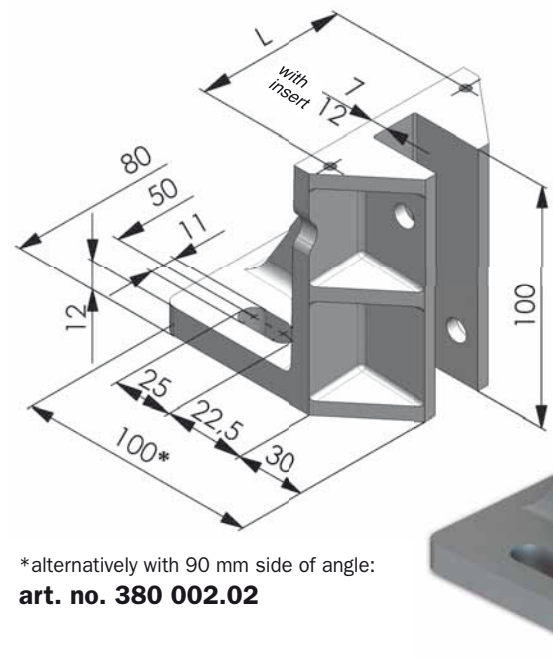
*Characteristics and description of ACLA materials, please see page 6.
Information on colour differences of guide shoe insert materials:
ACLATHAN = brown, ACLATHAN-KH = red, ACLAMID = green, ACLASYN GR = grey, ACLASYN MWG 10 (sw) = black.

ACLA Guide Shoes:
Appropriate solutions for any construction requirement



ACLA Angled Guide Shoe, type WSMK

- installation height 100 mm
- undamped and damped guide shoe inserts for rail widths of 5 - 10 mm
- rail lubricators AK 2, AK 4, AK 5 and AK 10 are appropriate



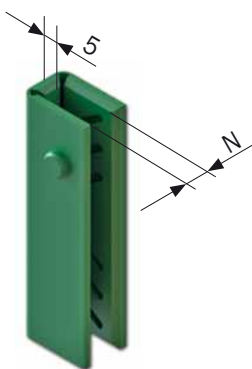
*alternatively with 90 mm side of angle:
art. no. 380 002.02

The advantages of the ACLA guide shoe, type WSMK

- functional design
- low weight by use of light metal alloy base
- excellent stability and durability
- minimum space occupied
- can be used in a variable way in combination with ACLA guide shoe inserts for different rail widths
- easy to maintain in combination with ACLA guide shoe inserts and ACLA rail lubricators

art. no. 380 208
special manufacturing
(L = 61,5 mm)

art. no. 380 002
(L = 64 mm)



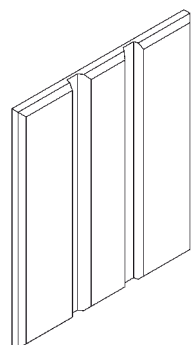
Appropriate guide shoe inserts for ACLA guide shoe WSMK - undamped -

U-profile type

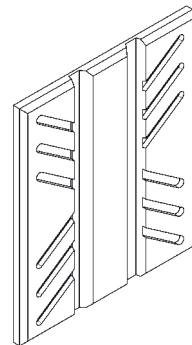


type
FSU convex

hinged types



type
FSF plain

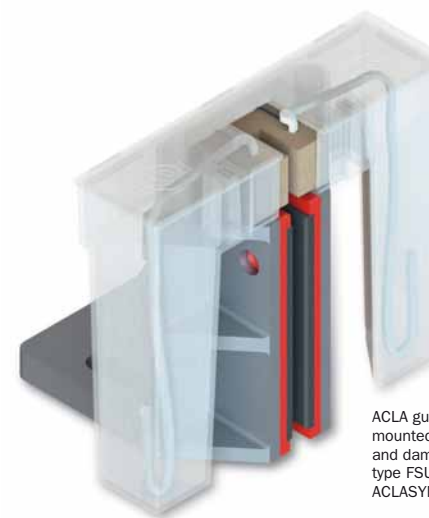


type
FSF with grooves



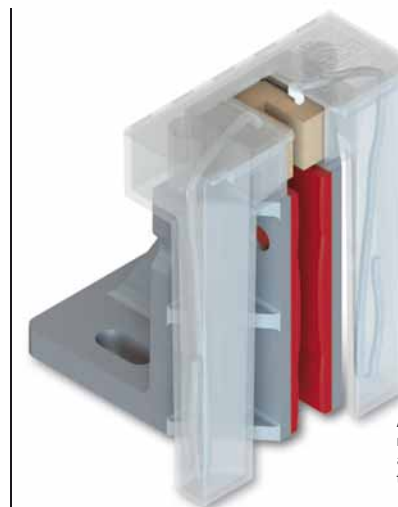
Appropriate ACLA rail lubricators for guide shoe WSMK

(for detailed information on ACLA rail lubricators, please see page 31)



Rail lubricator AK 2
art. no. 90 323

ACLA guide shoe WSMK,
mounted with lubricator AK 2
and damped guide shoe insert
type FSUGG (ACLATHAN-KH red/
ACLASYN MWG 10 sw)



Rail lubricator AK 4
art. no. 90 337.01
(for WSMK / art.no. 380 002)

ACLA guide shoe WSMK,
mounted with lubricator AK 4
and undamped guide shoe insert,
type FSU convex (ACLATHAN)



Rail lubricator AK 5
art. no. 90 314
(for WSMK / art.no. 380 002)

ACLA guide shoe WSMK,
mounted with lubricator AK 5
and undamped guide shoe insert,
type FSF plain (ACLATHAN-KH)

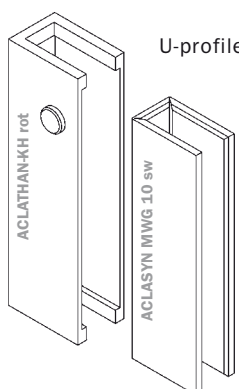


Rail lubricator AK 10
art. no. 90 021

ACLA guide shoe WSMK,
mounted with lubricator AK 10
and undamped guide shoe insert,
type FSF with grooves (ACLAMID)

Appropriate guide shoe inserts for ACLA guide shoe WSMK - damped -

U-profile type

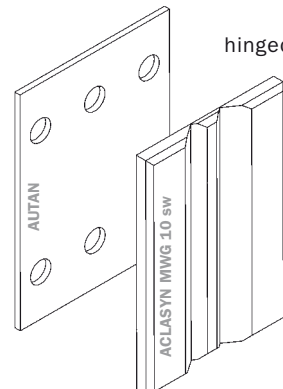


patent
protected



type
FSUGG

hinged type



type
FSFG

article numbers for WSMK guide shoe inserts

insert type	material*	for rail width N				
		5 mm	6 mm	8 mm	9 mm	10 mm
undamped	FSU convex	200 011			200 020	
	FSF plain	200 180	200 255	200 237	200 181	
	FSF with grooves	200 286.04			200 290.04	200 307.04
		200 245			200 247	
damped	FSFG	200 246			200 248	
	ACLASYN MWG 10 sw with cellular layer	200 289.05			200 291.05	
	ACLASYN MWG 10 sw with ACLATHAN-KH layer	200 289.06			200 291.06	

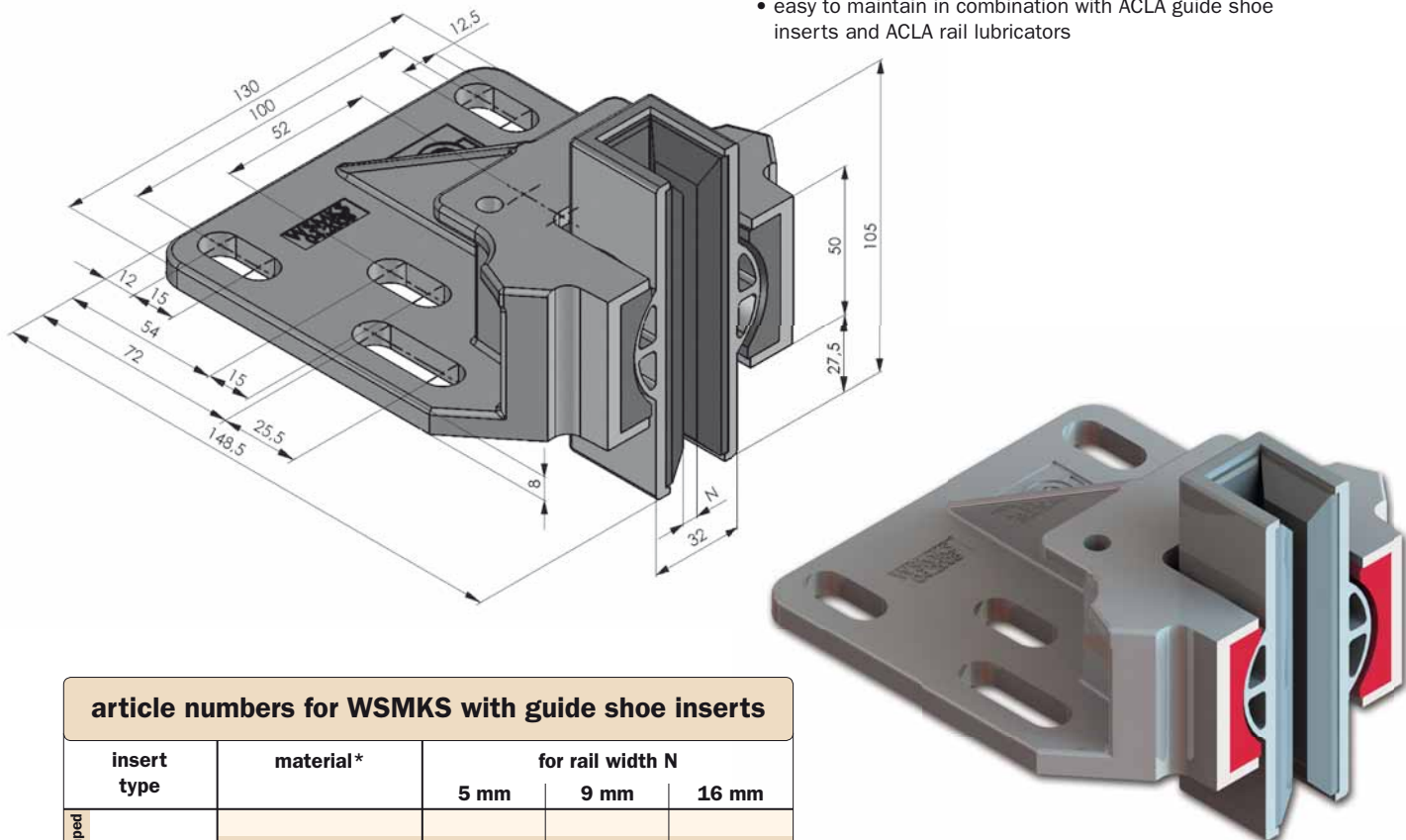
*Characteristics and description of ACLA materials, please see page 6. Information on colour differences of guide shoe insert materials: ACLATHAN = brown, ACLATHAN-KH = red, ACLAMID = green, ACLASYN GR = grey, ACLASYN MWG 10 (sw) = black.

ACLA Angled Guide Shoe, type WSMKS

- installation height 105 mm
- damped guide shoe
- guide shoe inserts for rail widths of 5, 9 and 16 mm
- rail lubricator AK 2 is appropriate

The advantages of the ACLA guide shoe, type WSMKS

- functional design
- low weight by use of light metal alloy base
- excellent stability and durability
- gedämpfte Ausführung durch hochelastische Zwischenlage
- minimum space occupied
- corrects angle errors
- easy to maintain in combination with ACLA guide shoe inserts and ACLA rail lubricators

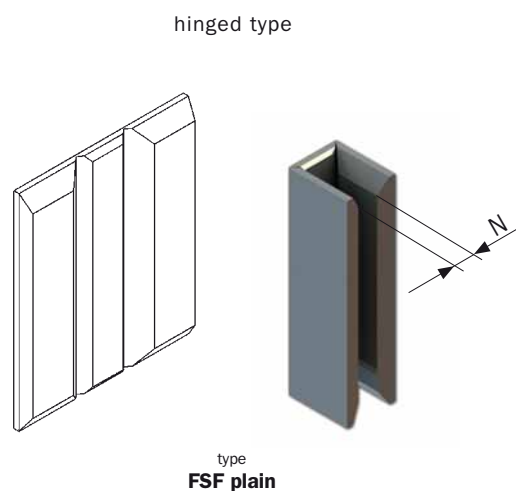


article numbers for WSMKS with guide shoe inserts

insert type	material*	for rail width N		
		5 mm	9 mm	16 mm
undamped FSF glatt	ACLASYN MWG 10 sw	380 843.06	380 838.06	380 839.06

*Characteristics and description of ACLA materials, please see page 6

Appropriate guide shoe inserts for ACLA guide shoe WSMKS - undamped -

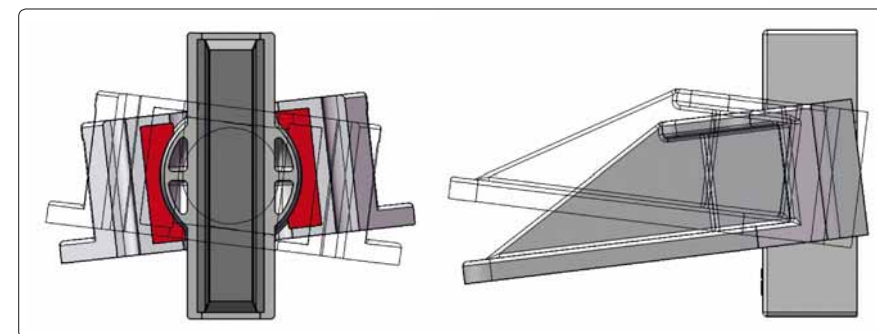
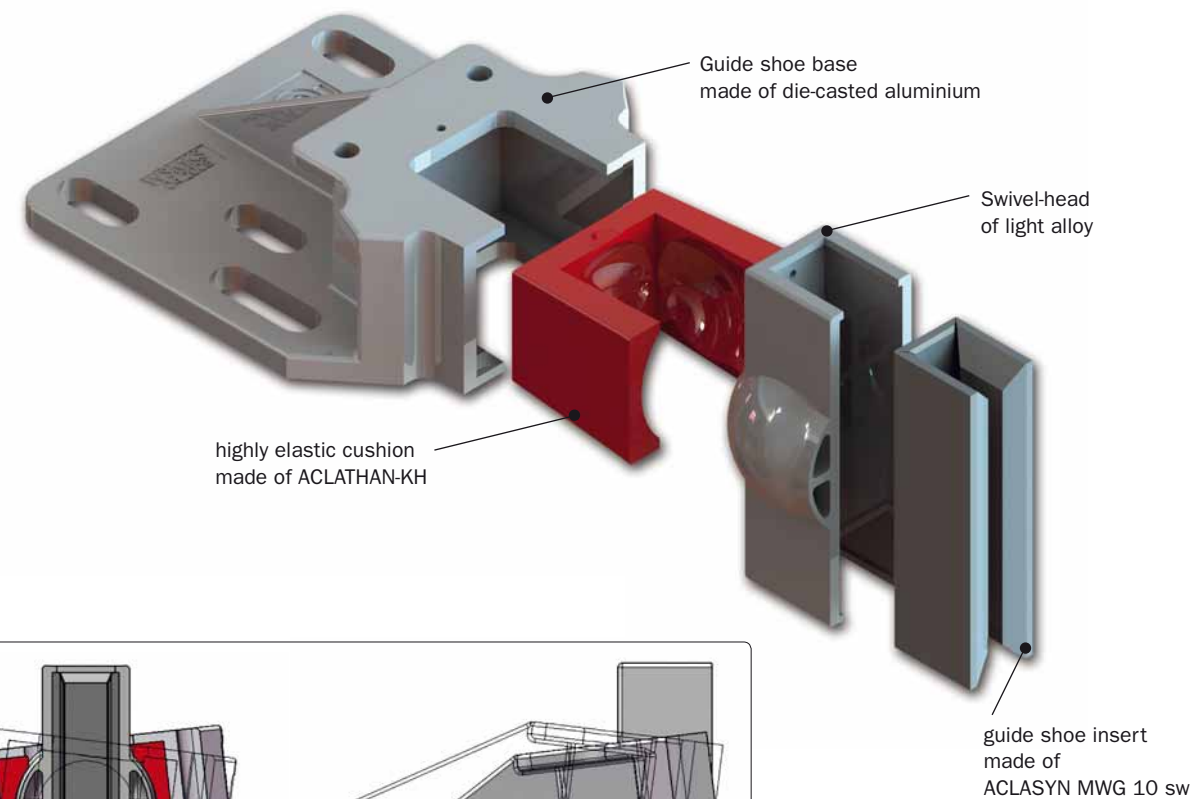


article numbers for WSMKS guide shoe inserts

insert type	material*	for rail width N		
		5 mm	9 mm	16 mm
undamped FSF plain	ACLASYN MWG 10 sw	200 375.04	200 369.04	200 370.04

type FSF plain

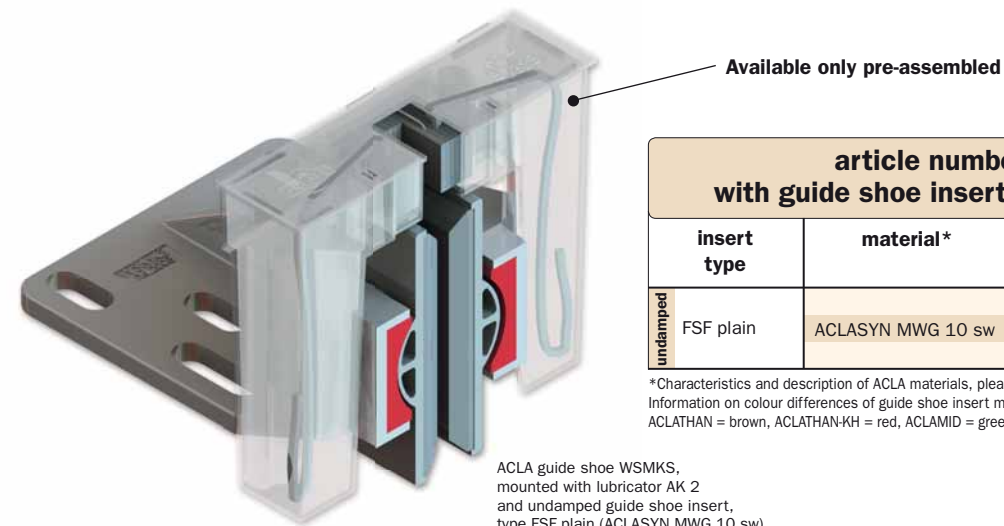
Setting and functional principle of ACLA guide shoe, type WSMKS



The well-conceived construction of ACLA guide shoes WSMKS allows to correct horizontal and vertical angle errors.

Appropriate ACLA rail lubricators for guide shoe WSMKS

(for detailed information on ACLA rail lubricators, please see page 31)



article numbers for WSMKS with guide shoe insert and rail lubricator AK 2

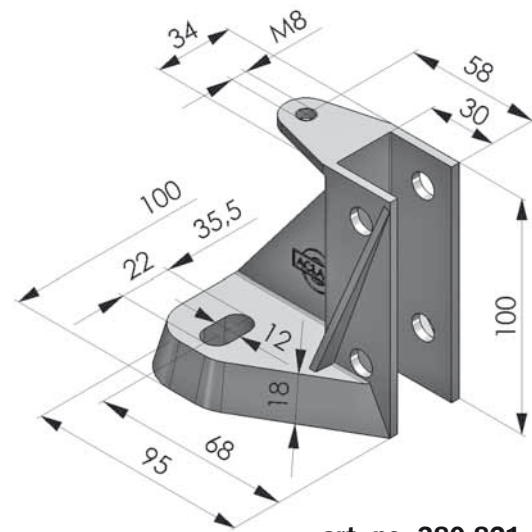
insert type	material*	for rail width N		
		5 mm	9 mm	16 mm
undamped FSF plain	ACLASYN MWG 10 sw	380 843.01	380 838.01	380 839.01

*Characteristics and description of ACLA materials, please see page 6. Information on colour differences of guide shoe insert materials: ACLATHAN = brown, ACLATHAN-KH = red, ACLAMID = green, ACLASYN GR = grey, ACLASYN MWG 10 (sw) = black.

ACLA guide shoe WSMKS, mounted with lubricator AK 2 and undamped guide shoe insert, type FSF plain (ACLASYN MWG 10 sw)

ACLA Angled Guide Shoe, type WSMKW

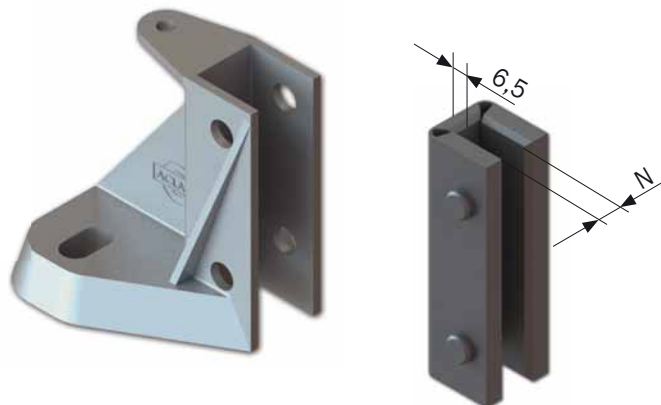
- installation height 100 mm
- undamped guide shoe inserts for rail widths from 5 to 16 mm



art. no. 380 821

The advantages of the ACLA guide shoe, type WSMKW

- functional design
- low weight by use of light metal alloy base
- excellent stability and durability
- minimum space occupied
- can be used in a variable way in combination with ACLA guide shoe inserts for different rail widths
- easy to maintain in combination with ACLA guide shoe inserts



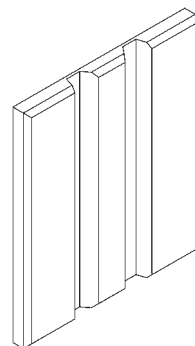
Appropriate guide shoe insert for ACLA guide shoe WSMKW - undamped -

U-profile type

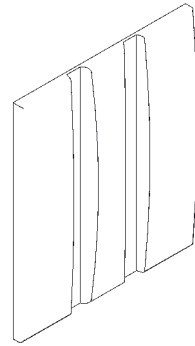


type
FSU convex

hinged types



type
FSF plain



type
FSF convex

article numbers for WSMKW guide shoe inserts

insert type	material*	for rail width N						
		5 mm	6 mm	8 mm	9 mm	10 mm	14 mm	16 mm
FSU convex	ACLATHAN-KH	200 125						
FSF plain	ACLATHAN-KH	200 213						
FSF plain	ACLASYN MWG 10 sw					200 308.04		200 309.04
FSF convex	ACLATHAN-KH		200 212	200 211	200 233	200 210	200 236	200 209

Notice:
No ACLA lubricator is available for this Angled Guide Shoe.



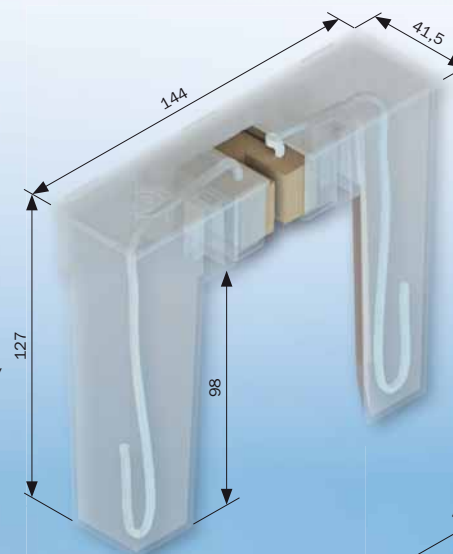
Complete guide shoe WSMKW with guide shoe insert, type FSF plain

rail width N	article no.
10 mm	380 840
16 mm	380 841

ACLA Rail Lubricators overview

Advantages of the ACLA rail lubricators

- all-purpose usable for all popular rail widths by selfadjusting felt jaws
- constant feed of lubricant by capillary action of selected felt and wick quality
- low oil consumption
- can be filled from both sides/ from the top
- friendly to the environment since dripping oil in the shaft base is avoided
- minimum space occupied in combination with ACLA guide shoes
- low weight
- easy and fast mounting on the ACLA guide shoes
- good accessibility to the oil tank by means of the hinged cover
- easy oil level check on account of the transparent body
- no additional maintenance



Rail Lubricator AK 2

- for rail widths up to 30 mm
- max. filling level = 80 ml
- weight approx. 100 g

art. no. 90 323

(for rail widths up to 16 mm/fixation with tapping screw Ø5 x 16 mm)

art. no. 90 323.03

(for rail widths up to 16 mm/fixation M6 x 10 mm)

art. no. 90 323.05

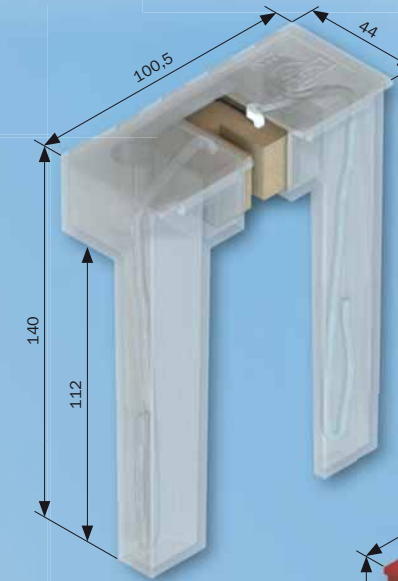
(for rail widths up to 16 mm/fixation M5 x 16 mm)

art. no. 90 323.01

(for rail widths from 19 to 24 mm/fixation with tapping screw Ø5 x 16 mm)

art. no. 90 323.02

(for rail widths from 28 to 30 mm/fixation with tapping screw Ø5 x 16 mm)



Rail Lubricator AK 4

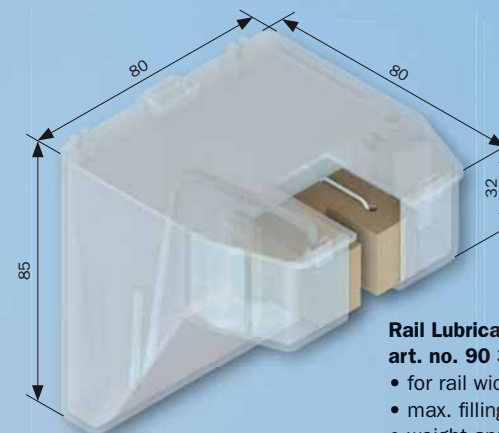
- for rail widths from 9 to 16 mm
- max. filling level = 40 ml
- weight approx. 90 g

art. no. 90 337

(fixation M5 x 6 mm)

art. no. 90 337.01

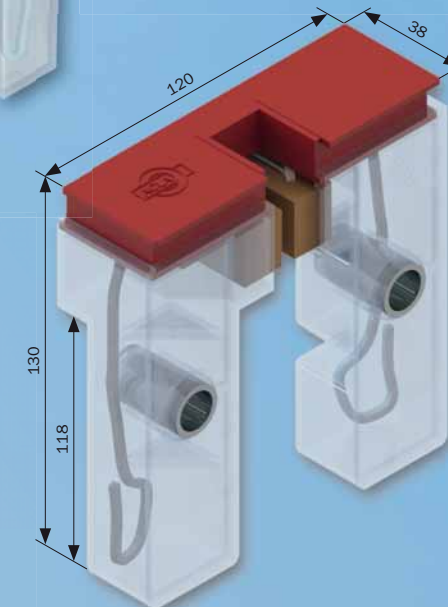
(fixation with tapping screw Ø5 x 16 mm)



Rail Lubricator AK 5

art. no. 90 314

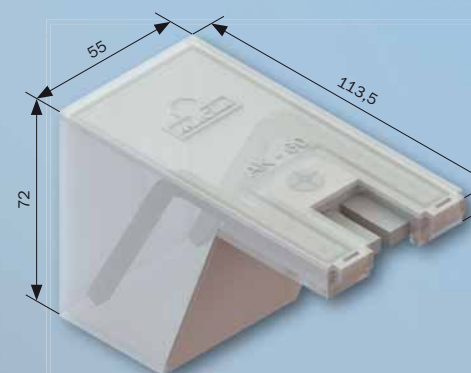
- for rail widths up to 20 mm
- max. filling level = 100 ml
- weight approx. 100 g



Rail Lubricator AK 10

art. no. 90 021

- for rail widths up to 20 mm
- max. filling level = 110 ml
- weight approx. 175 g



Rail Lubricator AK 60

art. no. 90 335

- for rail widths from 5 to 16 mm
- max. filling level = 100 ml
- weight approx. 75 g



Rail Lubricator AK 1

- max. filling level = 140 ml
- weight approx. 60 g

art. no. 90 327.01

(for rail widths from 5 to 10 mm)

art. no. 90 327.04

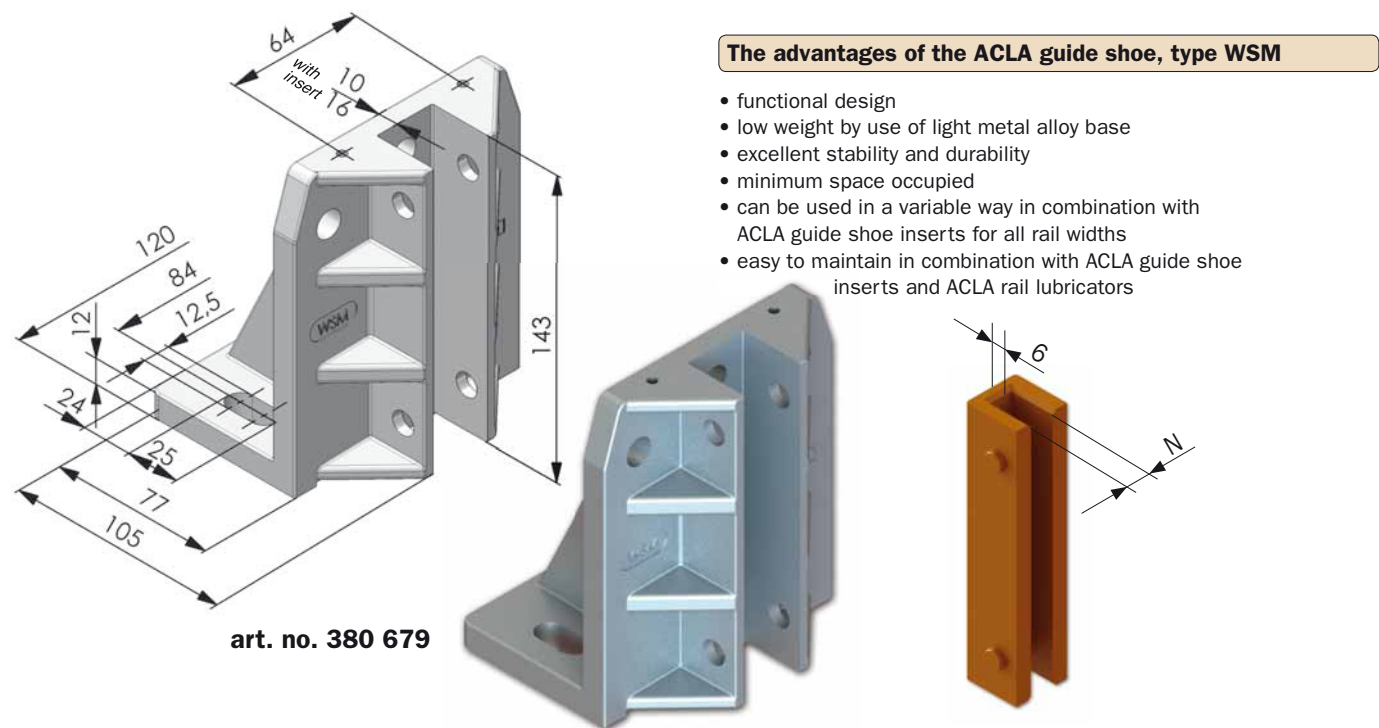
(for rail width 16 mm)

Recommended lubricants:

Gear or machine oil.
Kinematical viscosity
60 - 80 mm²/s, 40°C
corresponding to
ISO VG 68

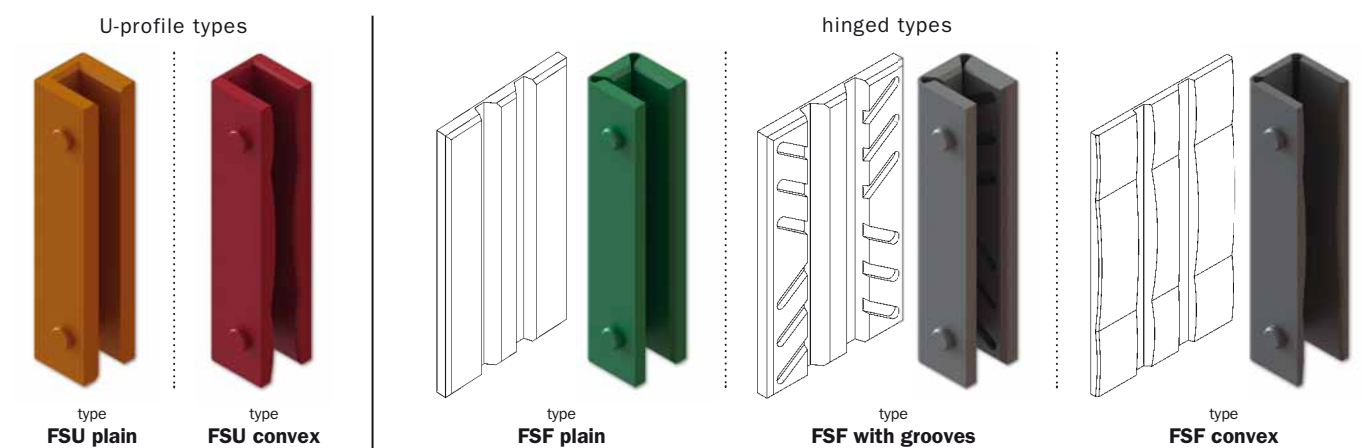
ACLA Angled Guide Shoe, type WSM

- installation height 143 mm
- undamped and damped guide shoe inserts for rail widths of 5 - 20 mm
- rail lubricators AK 2, AK 5 and AK 10 are appropriate

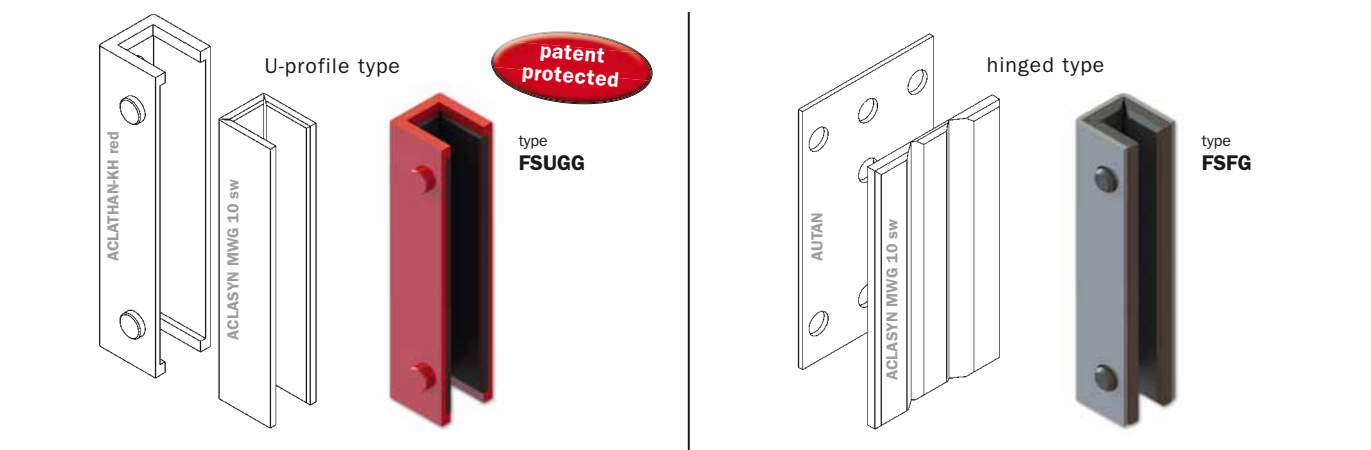


art. no. 380 679

Appropriate guide shoe inserts for ACLA guide shoe WSM - undamped -



Appropriate guide shoe inserts for ACLA guide shoe WSM - damped -



Appropriate ACLA rail lubricators for guide shoe WSM

(for detailed information on ACLA rail lubricators, please see page 31)

Rail lubricator AK 2
art. no. 90 323



ACLA guide shoe WSM, mounted with lubricator AK 2 and undamped guide shoe insert, type FSU plain (ACLATHAN)

Rail lubricator AK 10
art. no. 90 021



ACLA guide shoe WSM, mounted with lubricator AK 10 and undamped guide shoe insert, type FSF with grooves (ACLAMID)

Rail lubricator AK 5
art. no. 90 314



ACLA guide shoe WSM, mounted with lubricator AK 5 undamped guide shoe insert, type FSF convex (ACLASYN GR)

article numbers for WSM guide shoe inserts

insert type	material*	for rail width N												
		5 mm	6 mm	8 mm	9 mm	10 mm	12 mm	14 mm	15 mm	16 mm	19 mm	20 mm		
FSU plain	ACLATHAN-KH		200 003				200 006							
FSU convex	ACLATHAN-KH		200 012			200 013		200 014		200 015				
undamped	FSF plain	ACLATHAN-KH	200 182			200 169	200 005			200 168	200 235	200 166		
		ACLAMID	200 176								200 260			200 321
	ACLASYN GR	200 230												
	ACLASYN MWG 10 sw				200 292.04	200 284.04			200 294.04		200 285.04	200 298.04		
FSF with grooves	ACLATHAN-KH			200 018										
	ACLAMID				200 225				200 206		200 208			
	ACLASYN GR				200 228	200 251		200 204		200 226				
FSF convex	ACLATHAN-KH						200 288				200 016			
	ACLASYN GR						200 305				200 227			
damped	FSFG					200 306.05	200 293.05					200 296.05		
	FSUGG					200 306.06	200 293.06			200 295.06		200 296.06		

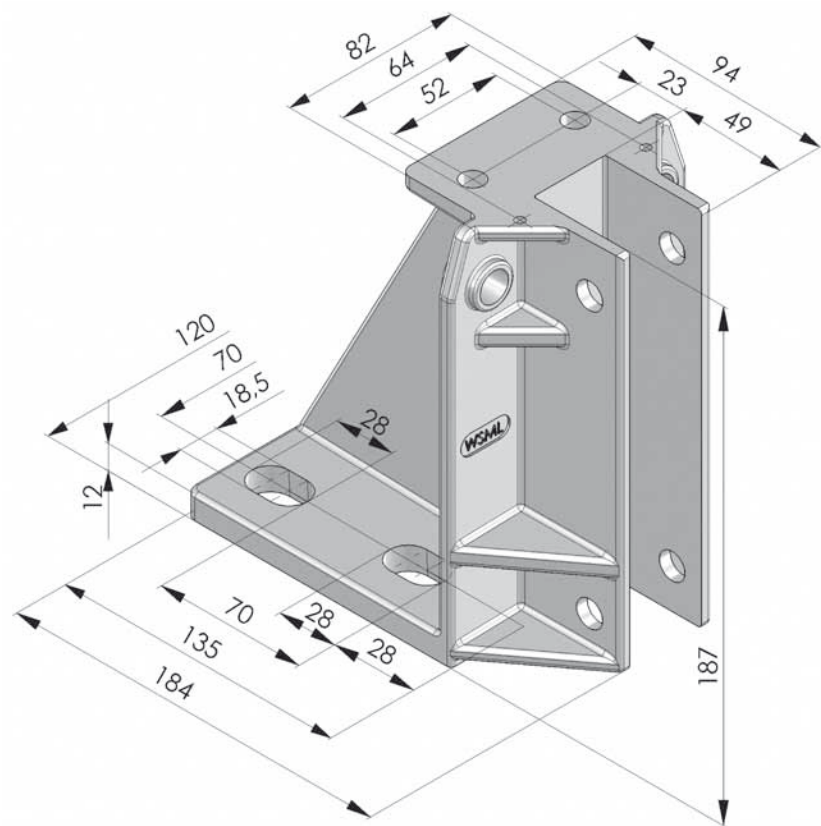
*Characteristics and description of ACLA materials, please see page 6. Information on colour differences of guide shoe insert materials: ACLATHAN = brown, ACLATHAN-KH = red, ACLAMID = green, ACLASYN GR = grey, ACLASYN MWG 10 (sw) = black.

ACLA Angled Guide Shoe, type WSML

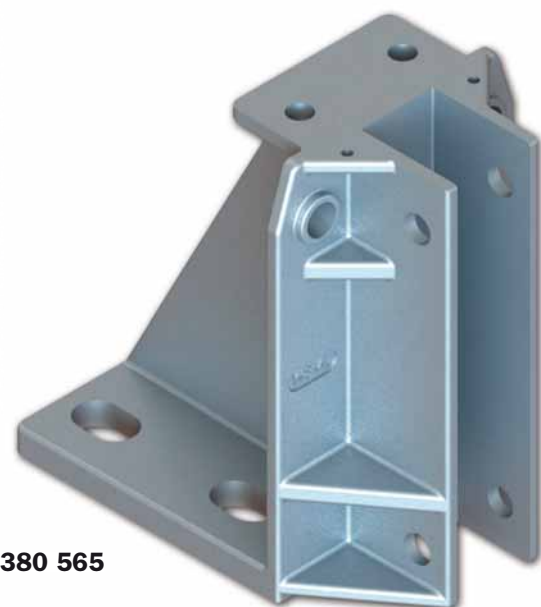
- installation height 187 mm
- guide shoe inserts for rail widths of 14 - 29 mm
- rail lubricators AK 2 and AK 10 are appropriate

The advantages of the ACLA guide shoe, type WSML

- functional design
- low weight by use of light metal alloy base
- excellent stability and durability
- minimum space occupied
- can be used in a variable way in combination with ACLA guide shoe inserts for rail widths from 14 to 29 mm
- easy to maintain in combination with ACLA guide shoe inserts and ACLA rail lubricators

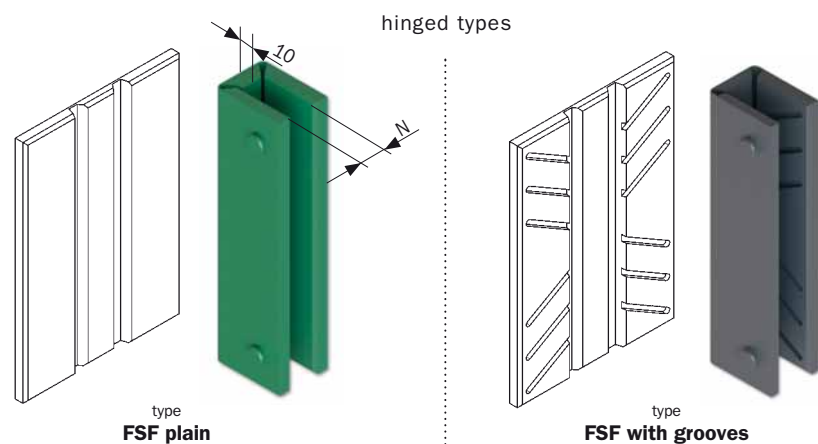


art. no 380 565

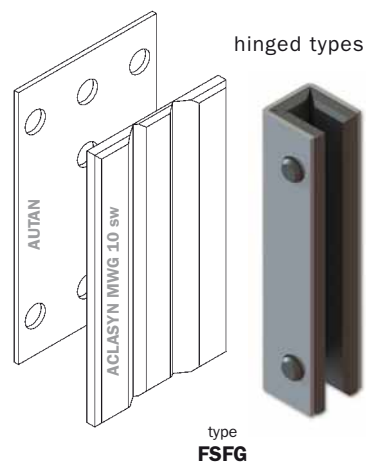


Appropriate guide shoe inserts for ACLA guide shoe WSML

- undamped -



- damped -



Appropriate ACLA rail lubricators for guide shoe WSML

(for detailed information on ACLA rail lubricators, please see page 31)

Rail lubricator AK 2
art. no. 90 323



ACLA guide shoe WSML,
mounted with lubricator AK 2
and undamped guide shoe insert,
type FSF with grooves
(ACLASYN GR).

Rail lubricator AK 10
art. no. 90 021

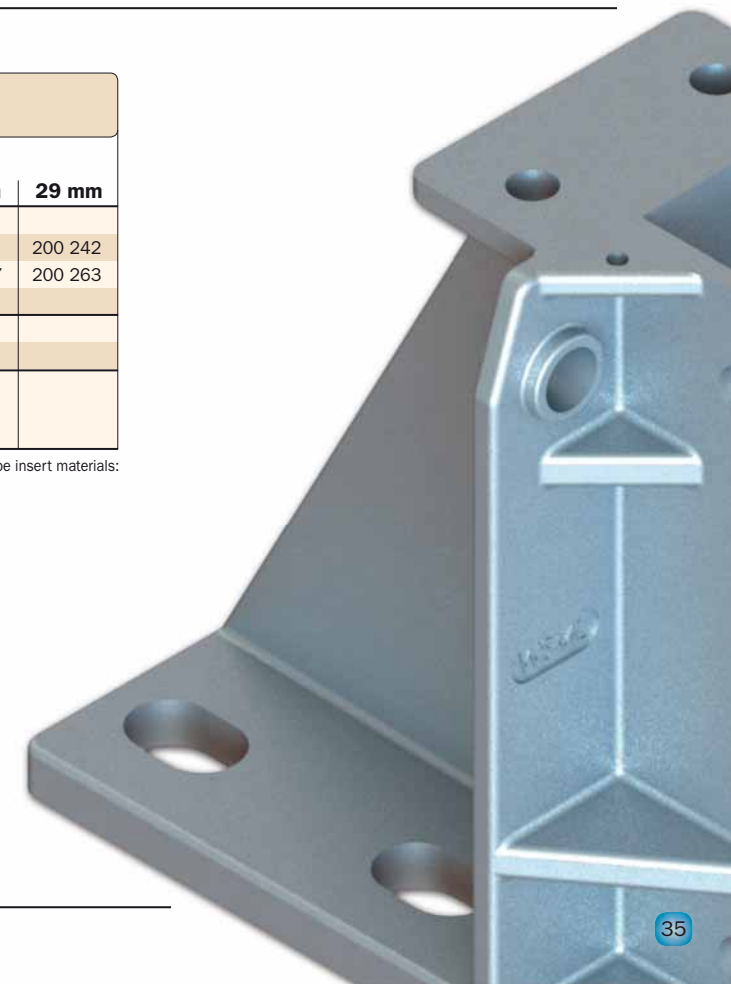


ACLA guide shoe WSML,
mounted with lubricator AK 10
and undamped guide shoe insert,
type FSF with grooves
(ACLAMID).

article numbers for WSML guide shoe inserts

insert type	material*	for rail width N				
		14 mm	16 mm	19 mm	24 mm	29 mm
undamped FSF plain	ACLATHAN-KH	200 198	200 171			200 242
	ACLAMID	200 195			200 267	200 263
	ACLASYN GR	200 238				
undamped FSF with grooves	ACLASYN MWG 10 sw		200 297.04	200 299.04		
	ACLAMID		200 207			
damped FSFG	ACLASYN GR		200 229	200 266		
	ACLASYN MWG 10 sw with cellular layer		200 297.06			

*Characteristics and description of ACLA materials, please see page 6. Information on colour differences of guide shoe insert materials: ACLATHAN = brown, ACLATHAN-KH = red, ACLAMID = green, ACLASYN GR = grey, ACLASYN MWG 10 (sw) = black.

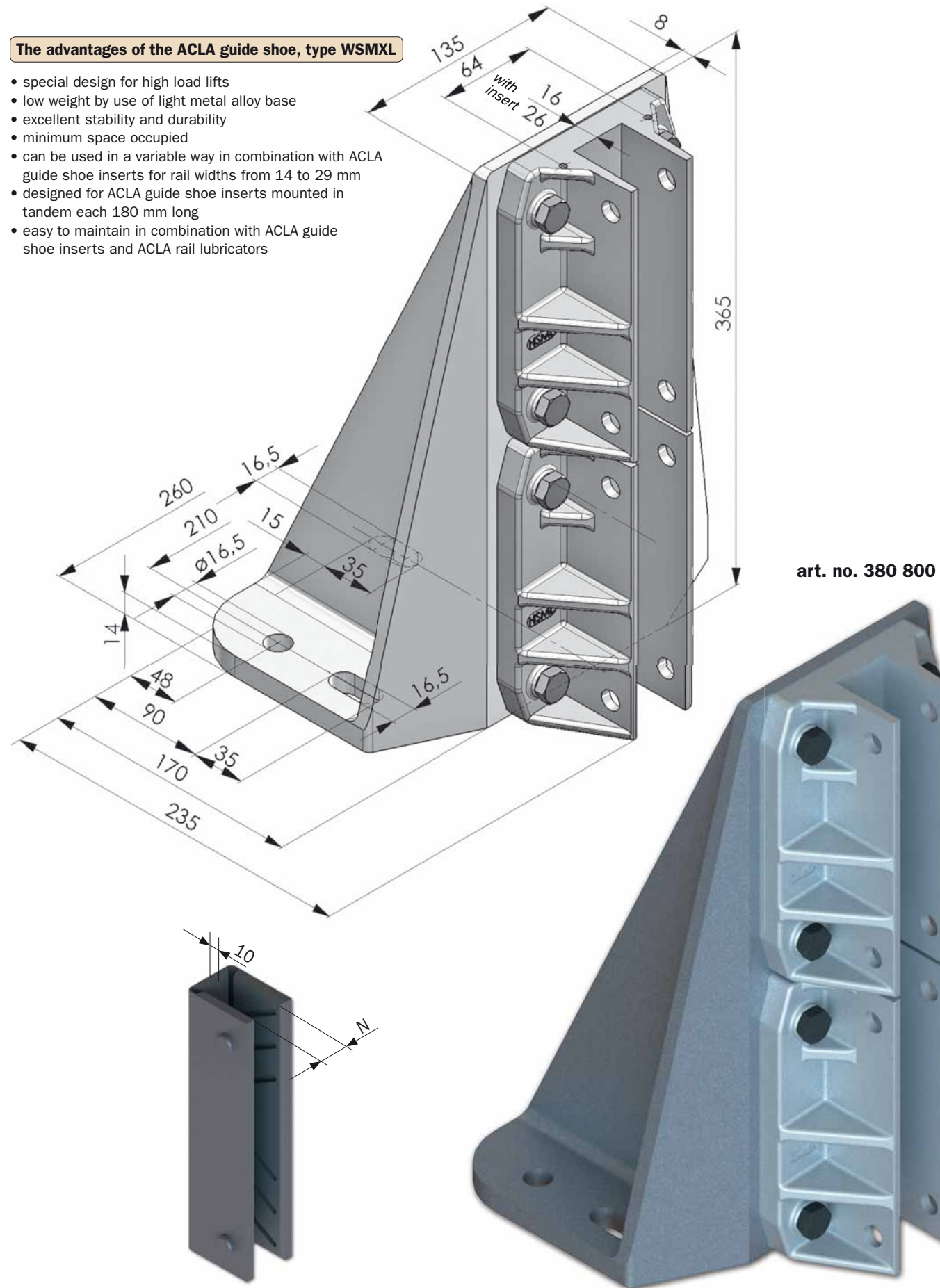


ACLA Angled Guide Shoe, type WSMXL

- installation height 365 mm
- guide shoe inserts for rail widths of 14 - 29 mm
- rail lubricators AK 2 and AK 10 are appropriate

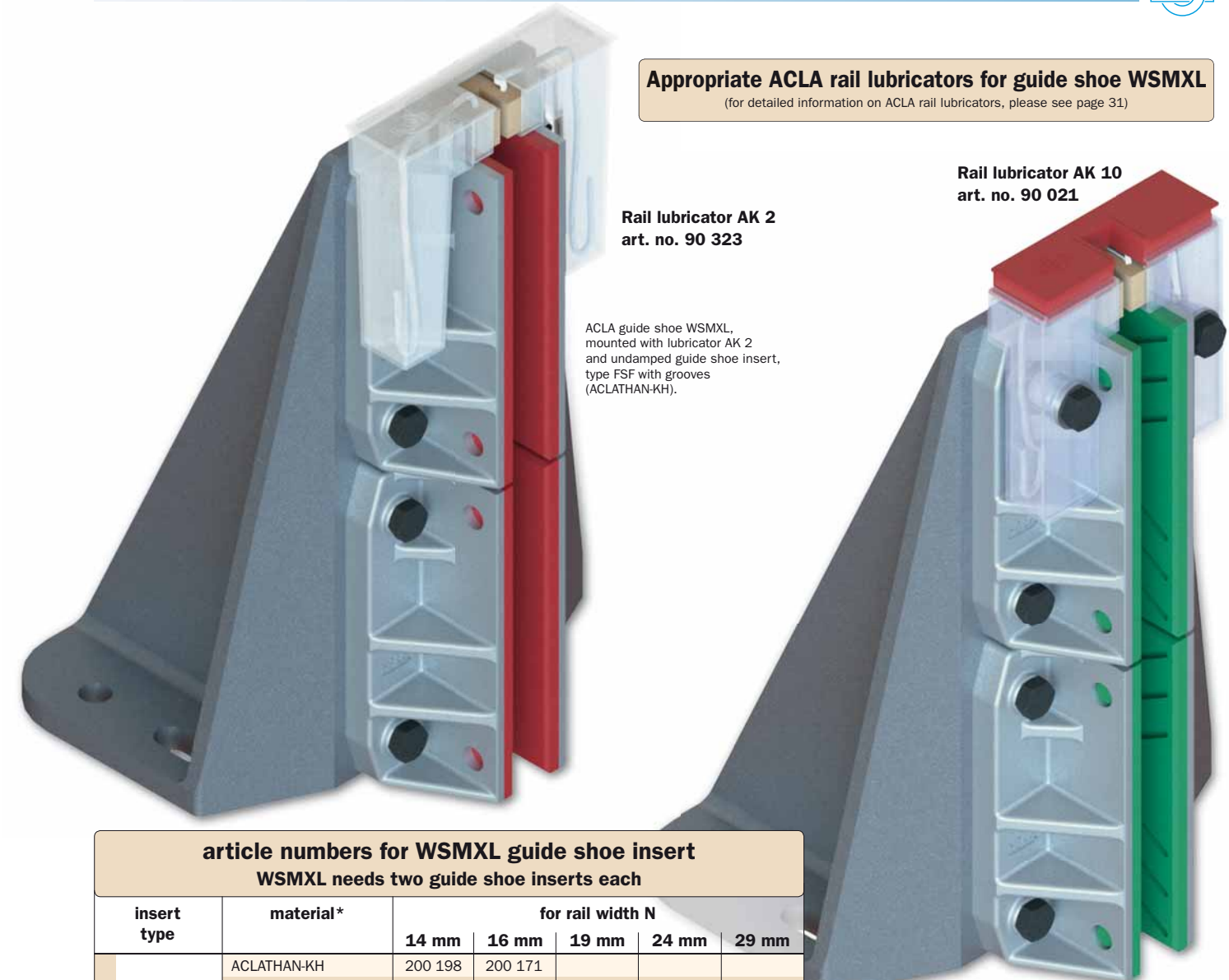
The advantages of the ACLA guide shoe, type WSMXL

- special design for high load lifts
- low weight by use of light metal alloy base
- excellent stability and durability
- minimum space occupied
- can be used in a variable way in combination with ACLA guide shoe inserts for rail widths from 14 to 29 mm
- designed for ACLA guide shoe inserts mounted in tandem each 180 mm long
- easy to maintain in combination with ACLA guide shoe inserts and ACLA rail lubricators



Appropriate ACLA rail lubricators for guide shoe WSMXL

(for detailed information on ACLA rail lubricators, please see page 31)



article numbers for WSMXL guide shoe insert						
WSMXL needs two guide shoe inserts each						
insert type	material*	for rail width N				
		14 mm	16 mm	19 mm	24 mm	29 mm
undamped FSF plain	ACLATHAN-KH	200 198	200 171			
	ACLAMID	200 195				200 242
	ACLASYN GR	200 238			200 267	200 263
undamped FSF with grooves	ACLASYN MWG 10 sw		200 297.04	200 299.04		
	ACLAMID		200 207			
	ACLASYN GR		200 229	200 266		
damped FSFG	ACLASYN MWG 10 sw with cellular layer		200 297.06			

*Characteristics and description of ACLA materials, please see page 6. Information on colour differences of guide shoe insert materials: ACLATHAN = brown, ACLATHAN-KH = red, ACLAMID = green, ACLASYN GR = grey, ACLASYN MWG 10 (sw) = black.

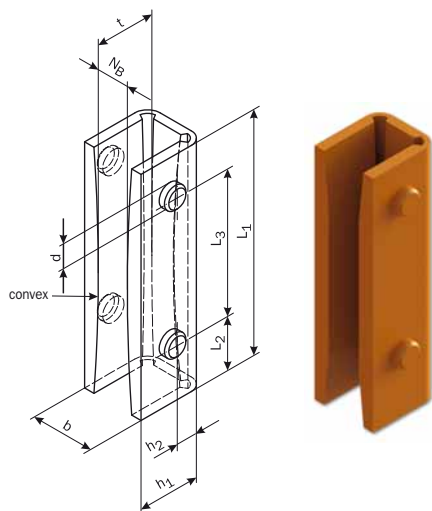
Appropriate guide shoe inserts for ACLA guide shoe WSMXL



Guide Shoe Inserts “Special Profiles” of ACLATHAN® /ACLATHAN®-KH

- for installation height from 45 mm up to 260 mm as U-profile and hinged types available
- complementary program for a wide range of guide shoes in use in elevator industry
- for rail widths from 5 mm to 18 mm

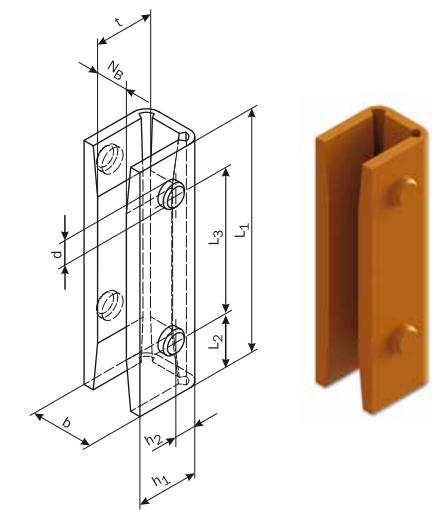
Profile 1 (hinged type/U-profile)



for nominal rail width “N”	art. no.	L ₁	b	N/N _B	h ₁	h ₂	t	L ₂	L ₃	d
5 mm	200125	100	26,5	5,3	30	16	25	25	60	10
6 mm *)	200 212	100	26,5	6,3	30	16	25	25	60	10
8 mm *)	200 211	100	26,5	8,3	30	16	25	25	60	10
9 mm *)	200 233	100	26,5	9,3	30	16	25	25	60	10
10 mm *)	200 210	100	26,5	10,4	30	16	25	25	60	10
14 mm *)	200 236	100	26,5	14,3	30	16	25	25	60	10
16 mm *)	200 209	100	26,5	16,3	30	16	25	25	60	10
6 mm	200 133	110	29	6	26	16	20	13	84	9
8 mm	200 132	110	29	8,3	26	16	20	13	84	9
10 mm	200 193	110	29	10,4	26	16	20	13	84	9
12 mm	200 134	110	29	12,3	26	16	20	13	84	9
10 mm	200 144	150	23	10,6	35	18	29	25	100	10
13 mm	200 135	150	23	13,6	35	18	29	25	100	10
16 mm	200 191	150	30	16,6	35	18	29	25	100	10

*) = hinged executions; all other profiles = U-profile

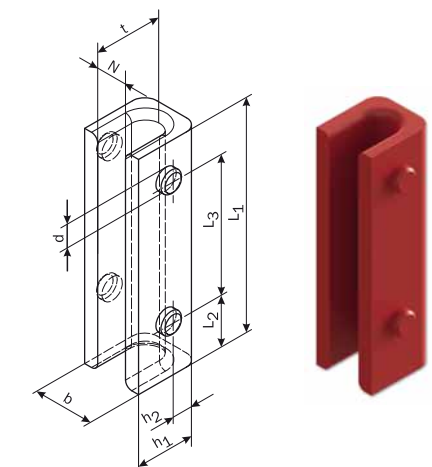
Profile 2 (hinged type/U-profile)



for nominal rail width “N”	art. no.	L ₁	b	N/N _B	h ₁	h ₂	t	L ₂	L ₃	d
5 mm *)	200213	100	26,5	5,6	30	16	25	25	60	10
6 mm *)	200 148	100	23	6,6	35	18	29	15	70	10
10 mm *)	200 128	100	23	10,6	35	18	30	15	70	10
14 mm *)	200 391	150	23	14,6	35	18	30	25	100	10
16 mm	200 141	150	30	16,6	45	25	39	25	100	10

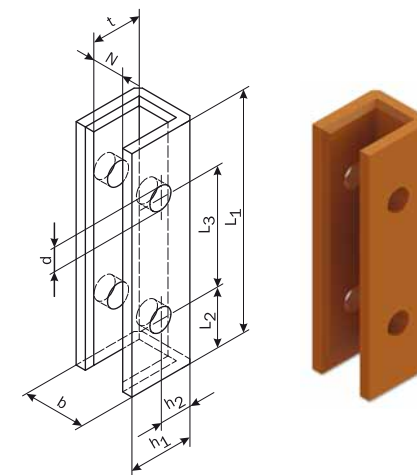
*) = hinged executions; all other profiles = U-profile

Profile 3 (U-profile)



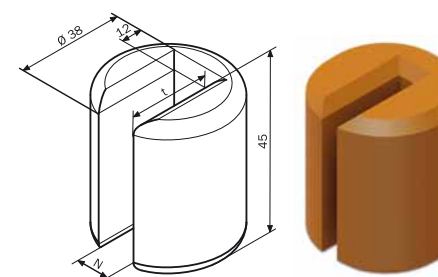
for nominal rail width “N”	art. no.	L ₁	b	N/N _B	h ₁	h ₂	t	L ₂	L ₃	d
9 mm	200118	100	23	9,6	35	18	29	15	70	10

Profile 4 (U-profile)



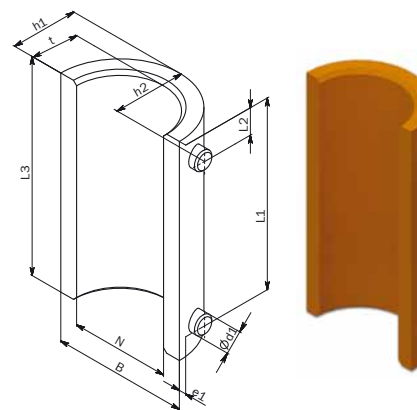
for nominal rail width “N”	art. no.	L ₁	b	N/N _B	h ₁	h ₂	t	L ₂	L ₃	d
5 mm	200114	146	29	5,7	26	16	20	31	84	9,1
9 mm	200 119	146	29	9,1	26	16	20	31	84	9,1
10 mm	200 120	146	29	10,1	26	16	20	31	84	9,1
16 mm	200 139	146	29	16,1	26	16	20	31	84	9,1
10 mm	200 110	176	29	10,2	26	16	20	46	84	9,1
16 mm	200 122	176	29	16,1	26	16	20	46	84	9,1
14 mm	200 174	216	29	14,1	26	16	20	43	130	9,1
16 mm	200 112	216	29	16,1	26	16	20	43	130	9,1
16 mm	200 136	260	29	16,1	35	21	30	45	170	9,1

Profile 6 (guide shoe insert, round)



for nominal rail width “N”	art. no.	L ₁	Ø	N	t					
5 mm	200252	45	38	5	26					
9 mm	200183	45	38	9	26					
16 mm	200186	45	38	16	26					

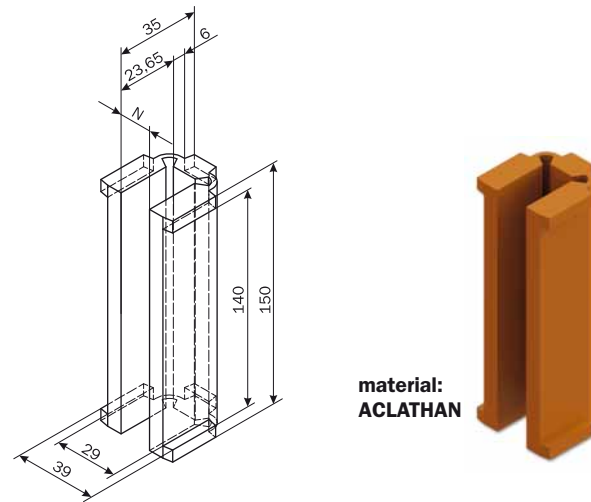
Profile 7 (guide shoe insert, round)



for nominal rail width “N”	art. no.	L ₁	L ₂	L ₃	d ₁	e ₁	h ₁	h ₂	b	N/N _B	t
Ø 30 mm	200348	95	15	120	10	4	21	11	42	30	15
Ø 45 mm	200349	105	15	120	11	4	30	18	60	45	22,5
Ø 50 mm	200350	105	15	120	11	4	30	18	60	50	25
Ø 55 mm	200351	105	15	120	11	4	37,5	25,5	75	55	27,5
Ø 60 mm	200352	105	15	120	11	4	37,5	25,5	75	60	30

Guide Shoe Inserts "Special Profiles", Sliding Inserts and Rail Guides of ACLATHAN®, ACLASYN® MWG 10 sw, ACLASYN® GR and ACLAMID®

Guide shoe insert (hinged type/U-profile)

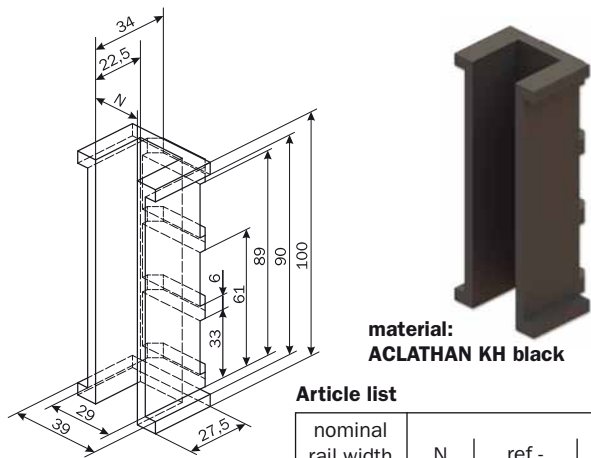


material:
ACLATHAN

Article list

nominal rail width "N"	N [mm]	art. no.
8 mm	8,5	200 278
9 mm	9,5	200 279
10 mm	10,5	200 280
12 mm	12,5	200 281
14 mm	14,5	200 282
16 mm	16,5	200 283

Guide shoe insert (U-profile)

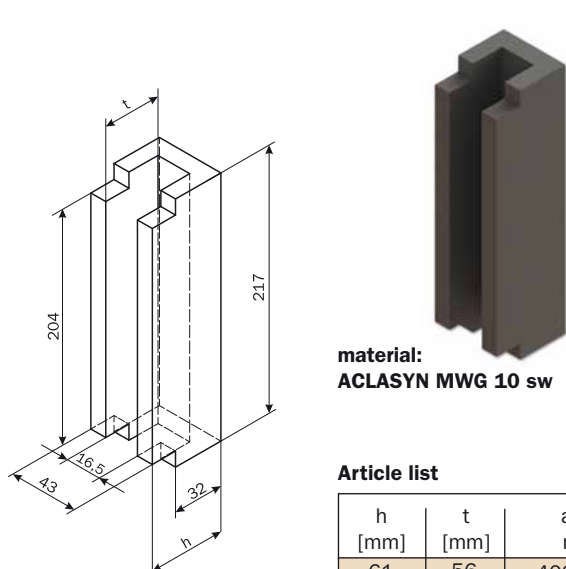


material:
ACLATHAN KH black

Article list

nominal rail width "N"	N [mm]	ref.-no.	art. no.
6 mm	6	T0 380 Y1	200 273
10 mm	10	T0 380 Y2	200 274
16 mm	16	T0 380 Y3	200 275
21 mm	21	T0 380 Y4	200 276

Guide shoe insert (U-profile)

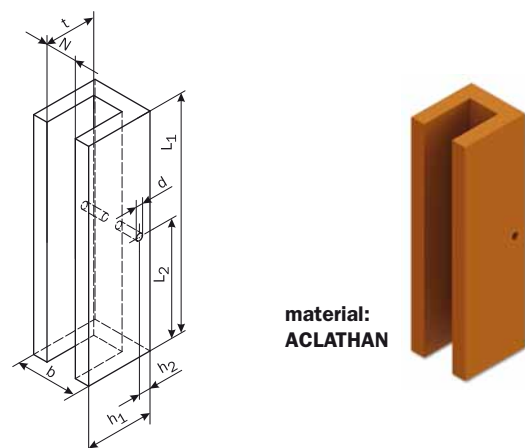


material:
ACLASYN MWG 10 sw

Article list

h [mm]	t [mm]	art. no.
61	56	400 316
38	33	400 317

Guide shoe insert (U-profile)

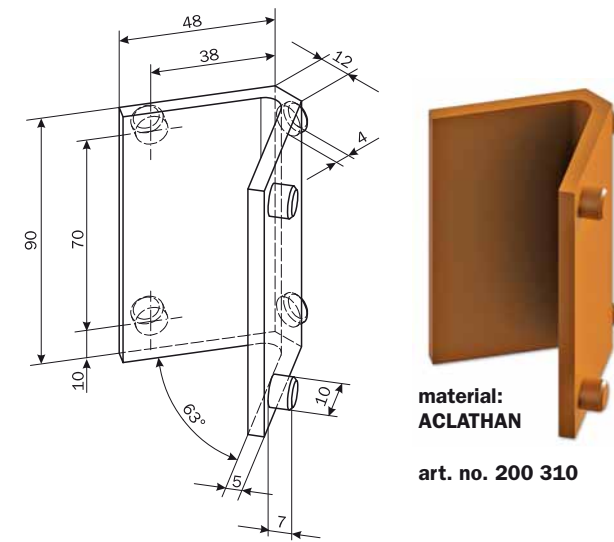


material:
ACLATHAN

Article list

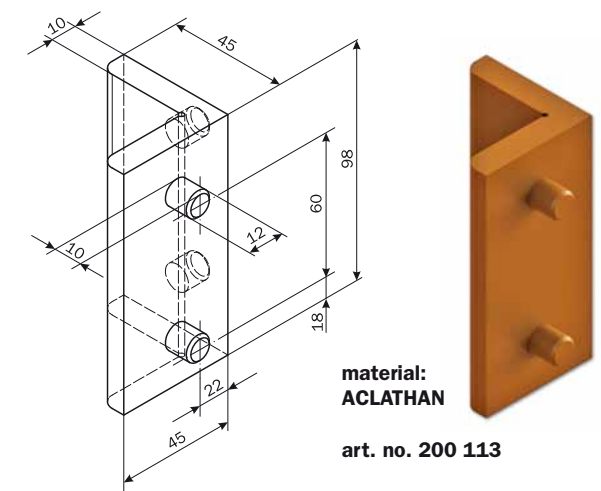
nominal rail width "N"	N [mm]	art. no.	L ₁	L ₂	b	h ₁	h ₂	t	d
5 mm	5,5	200 106	60,5	30	19	22	12	16	6,5
7 mm	7,5	200 231	60,5	30	19	22	12	16	6,5
11 mm	11,2	400 314	127		28	28,6		22,6	
16 mm	16,2	400 313	127		28	28,6		22,6	
9 mm	9,2	200 303	140	70	29	30	3	24	3
16 mm	16,5	200 304	140	70	29	30	3	24	3

Guide shoe insert (angled profile)



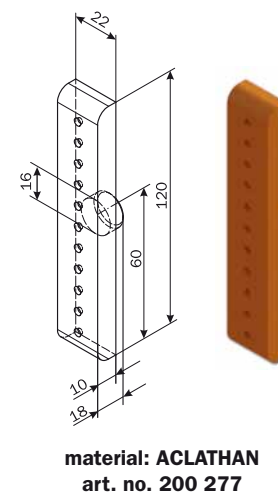
material:
ACLATHAN
art. no. 200 310

Guide shoe insert (angled profile)



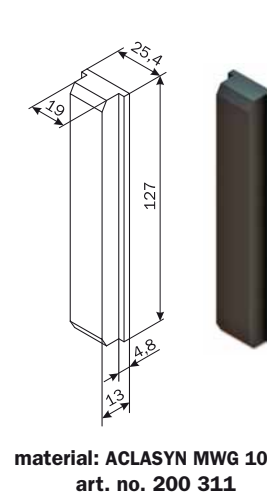
material:
ACLATHAN
art. no. 200 113

Sliding insert



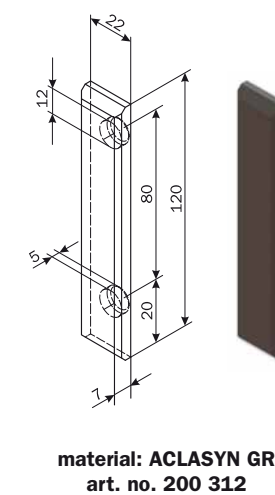
material: ACLATHAN
art. no. 200 277

Sliding insert



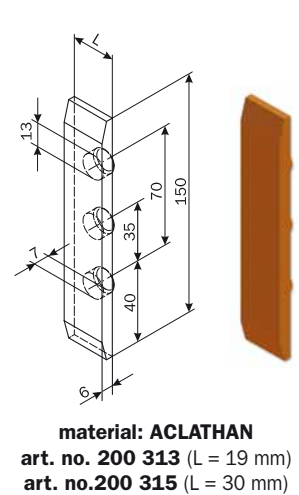
material: ACLASYN MWG 10 sw
art. no. 200 311

Sliding insert



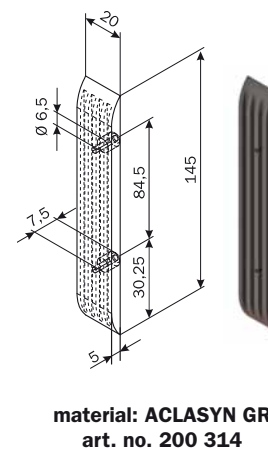
material: ACLASYN GR
art. no. 200 312

Sliding insert



material: ACLATHAN
art. no. 200 313 (L = 19 mm)
art. no. 200 315 (L = 30 mm)

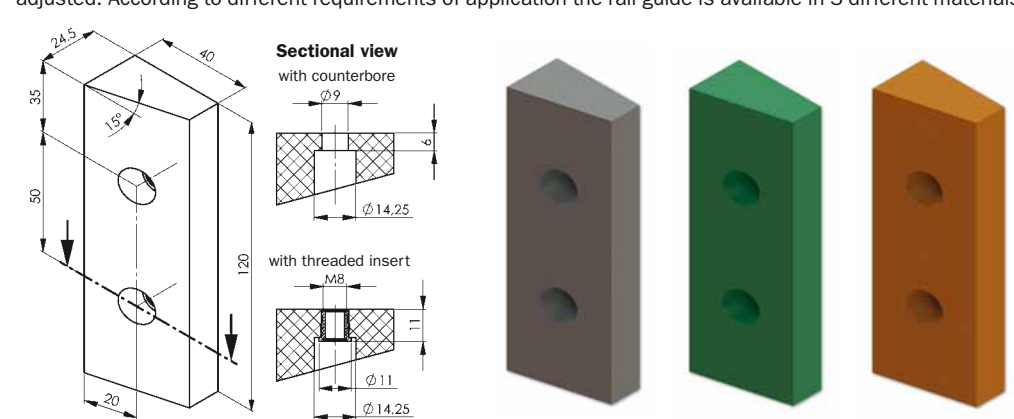
Sliding insert



material: ACLASYN GR
art. no. 200 314

Rail guides

The ACLA rail guide's application is as a gliding element. By means of the slope the distance to the rail can be adjusted. According to different requirements of application the rail guide is available in 3 different materials.



articles / material	ACLASYN GR	ACLAMID	ACLATHAN
with counterbore for M8 hexagon bolt	art.-no. 90 321	art.-no. 90 313	art.-no. 193 543
with M8 threaded insert	art.-no. 90 321.02	art.-no. 90 313.01	